



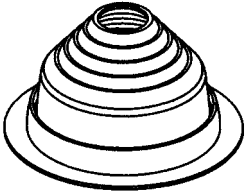

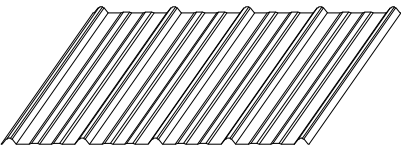

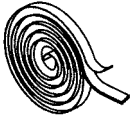

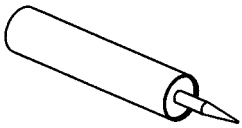
2141 Second Avenue S.W.
 Cullman, Alabama 35055
 800.438.1606 Toll Free
 256.739.6827 Tel. | 256.739.5657 Fax

17600 Badtke Road
 Hockley, TX 77447
 1.866.749.COMP (2667) Toll Free
 281.213.6100 Tel. | 281.213.6101 Fax

3387 Davey Allison Blvd.
 Hueytown, AL 35023
 1.877.887.4247 Toll Free
 205.744.1561 Tel. | 205.744.1562 Fax

www.inlandbuildings.com

ACCESSORIES

RUBBER PIPE FLASHING • FLASHERS • BLACK EPDM 	SIZE	PIPE SIZE	TEMP. RANGE	BASE	WT./EA.	PRICE EACH
						EPDM
	#1	¼" - 2"	-65° to 250°	4-¾"	0.2#	13.95
	#3	¼" - 5"	-65° to 250°	7-¾"	0.45#	19.80
	#5	4-¼" - 7-½"	-65° to 250°	10-¾"	1.0#	33.60
	#7	6" - 11"	-65° to 250°	14-¼"	2.0#	67.95
	#8	7" - 13"	-65° to 250°	16-½"	2.3#	99.00
TOUCH-UP PAINT 	DESCRIPTION					PRICE EACH
	Valspar Matching Color, Panel Touch Up Paint 2 oz. Bottle Silicone Polyester					16.25
LIGHT TRANSMITTING PANELS 	TYPE	COLOR	LENGTH	WT./EA.	PRICE Each	
	SBS 369 (Non-Reinforced)	White	10'-0"	10.5#	53.15	
<small>WARNING: This light transmitting panel is not designed or intended to bear any weight of a person standing, sitting, walking or resting on them.</small>						
SBS 369 CLOSURE STRIP Each Piece 3'-0" 	DESCRIPTION				WT./100	PRICE EACH
	Inside				4.0#	.85
	Outside				6.2#	.85
TAPE SEAL  	SIZE	CARTON QTY	ROLL WT./EA.		PRICE EACH	
	¾" x ⅜" x 45'	40	1.5#		3.05	
	1" x ⅜" x 45'	20	3.3#		7.00	
TUBE CAULKING 	TYPE	COLOR	TUBE SIZE	CARTON QTY,	TUBE WT./EA.	PRICE EACH
	Polyurethane	White	10.3 oz	30	1.2#	7.25
	Polyurethane	Gray	10.3 oz	30	1.2#	7.25
	Polyurethane	Bronze	10.3 oz	30	1.2#	7.25
	Polyurethane	Almond	10.3 oz	30	1.2#	7.25
	Silicone	Clear	10.3 oz	30	1.2#	8.75
10.3 oz. cartridge.						



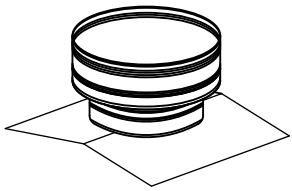
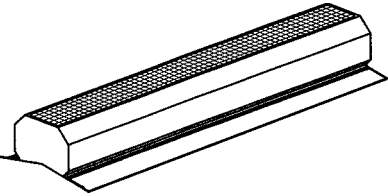

2141 Second Avenue S.W.
 Cullman, Alabama 35055
 800.438.1606 Toll Free
 256.739.6827 Tel. | 256.739.5657 Fax

17600 Badtke Road
 Hockley, TX 77447
 1.866.749.COMP (2667) Toll Free
 281.213.6100 Tel. | 281.213.6101 Fax

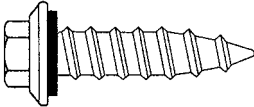
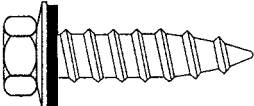
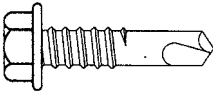
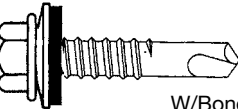
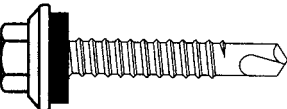
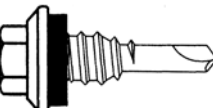
3387 Davey Allison Blvd.
 Hueytown, AL 35023
 1.877.887.4247 Toll Free
 205.744.1561 Tel. | 205.744.1562 Fax

www.inlandbuildings.com

ACCESSORIES

	DESCRIPTION	WT./EA.	PRICE EACH	
			GALVALUME®	WHITE
CIRCULAR GRAVITY VENTILATORS 	20" Diameter Throat, 26 GA, w/ damper	70.0#	325.00	330.75
	24" Diameter Throat, 26 GA, w/ damper	70.0#	477.70	487.25
All ventilators have bird screen and damper. Pricing shown is for ventilators with flat base only. For standard color ventilators other than White, please inquire. For chain operated ventilators, please inquire.				
	DESCRIPTION	WT./EA.	PRICE EACH	
			GALVALUME®	WHITE
CONTINUOUS THROAT GRAVITY RIDGE VENTILATORS 	9" Throat x 10' Long, 26 GA, w/ damper	207.0#	526.70	568.50
	12" Throat x 10' Long, 26 GA, w/ damper	223.0#	656.40	706.85
All ventilators have bird screen and damper. Pricing shown is for ventilators with flat skirts only. Included with each ventilator are splice plates, end skirts, and special rope sealant. All ventilators will conform to roof slopes up to 6:12. For standard color ventilators other than Polar White, please inquire. For chain operated ventilators, please inquire.				
	DESCRIPTION.	PRICE EACH		
VENTILATOR HARDWARE 	Galvanized 3/16" Vent Cable		.42	
	Vent Pulley		4.75	
	1/4" x 2" Eye Bolt w/ Nuts		.45	
	Cable Clamps		.60	

ACCESSORIES

SELF-TAPPING CARBON STEEL FASTENERS 	SIZE	LENGTH	TYPE	HEAD AF	WT./M	PRICE PER 1000		
							PLAIN	PAINTED
Holes must be pre-drilled through all metal when using this type of fastener Note: Fasteners sold in quantities of 250 only.	#14	¾"	A	⅝"	13.2#	81.00	95.25	
	#14	1"	A	⅝"	17.0#	94.60	109.15	
	#14	1-½"	A	⅝"	21.0#	110.80	125.05	
	#17	1"	AB	⅝"	16.0#	158.25	172.50	
304 STAINLESS STEEL SELF-TAPPING FASTENERS 	SIZE	LENGTH	TYPE	HEAD AF	WT./M	PRICE PER 1000		
Holes must be pre-drilled through all metal when using this fastener. CAUTION: The threads on 304 SS fasteners are softer than carbon steel and will strip out if over-torqued or forced into too small a hole. Note: Fasteners sold in quantities of 250 only.							PLAIN	PAINTED
	#14	¾"	A	⅜"	14.7#	244.75	259.00	
	#14	1"	A	⅜"	17.0#	281.85	296.10	
	#14	1½"	A	⅜"	21.4#	360.95	375.20	
#17	1"	AB	⅜"	21.0#	373.90	388.15		
MINI-WAREHOUSE SELF-DRILLING CARBON STEEL FASTENERS 	SIZE	LENGTH	TYPE	HEAD AF	WT./M	PRICE PER 1000		
No washer Note: Fasteners sold in quantities of 250 only.							PLAIN	PAINTED
	#12	7/8"	DRILLER	⅝"	8.7#	74.55	88.80	
MINI-WAREHOUSE SELF-DRILLING CARBON STEEL FASTENERS 	SIZE	LENGTH	TYPE	HEAD AF	WT./M	PRICE PER 1000		
W/Bonded Washer Note: Fasteners sold in quantities of 250 only.							PLAIN	PAINTED
	#12	7/8"	DRILLER	⅝"	11.7#	92.15	106.40	
SELF-DRILLING CARBON STEEL FASTENERS 	SIZE	LENGTH	TYPE	HEAD AF	WT./M	PRICE PER 1000		
For attaching sheet to Ceess and Zees. Note: Fasteners sold in quantities of 250 only.							PLAIN	PAINTED
	#12	1-¼"	DRILLER	⅝"	16.2#	84.45	99.70	
	#12	1-½"	DRILLER	⅝"	17.1#	108.30	122.55	
#12	2"	DRILLER	⅝"	20.0#	172.60	186.85		
SELF-DRILLING CARBON STEEL FASTENERS 	SIZE	LENGTH	TYPE	HEAD AF	WT./M	PRICE PER 1000		
For attaching sheet to sheet. Note: Fasteners sold in quantities of 250 only.							PLAIN	PAINTED
	#14	7/8"	LAPTEK	⅝"	12.6#	87.60	101.85	



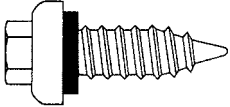
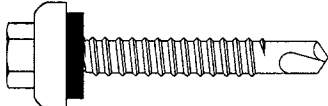
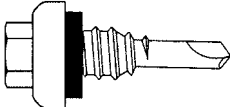
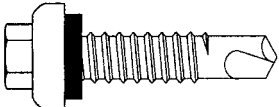
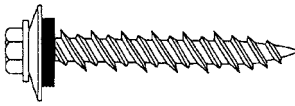
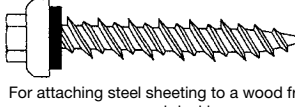
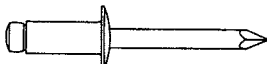
2141 Second Avenue S.W.
 Cullman, Alabama 35055
 800.438.1606 Toll Free
 256.739.6827 Tel. | 256.739.5657 Fax

17600 Badtke Road
 Hockley, TX 77447
 1.866.749.COMP (2667) Toll Free
 281.213.6100 Tel. | 281.213.6101 Fax

3387 Davey Allison Blvd.
 Hueytown, AL 35023
 1.877.887.4247 Toll Free
 205.744.1561 Tel. | 205.744.1562 Fax

www.inlandbuildings.com

ACCESSORIES

LONG-LIFE SELF-TAPPING FASTENERS	SIZE	LENGTH	TYPE	HEAD AF	WT./M	PRICE PER 1000	
							PLAIN
 Holes must be pre-drilled through all metal when using this type of fastener.	#14	1"	AB	5/16"	17.9#	232.70	246.20
	#17	1"	AB	5/16"	18.0#	270.20	283.70
Note: Fasteners sold in quantities of 250 only.							
LONG-LIFE SELF-DRILLING FASTENERS	SIZE	LENGTH	TYPE	HEAD AF	WT./M	PRICE PER 1000	
							PLAIN
 For attaching sheet to Cees and Zees.	#12	1-1/4"	DRILLER	5/16"	18.1#	177.50	190.95
	#12	1-1/2"	DRILLER	5/16"	19.2#	217.25	230.75
	#12	2"	DRILLER	5/16"	20.7#	279.60	293.10
Note: Fasteners sold in quantities of 250 only.							
LONG-LIFE SELF-DRILLING FASTENERS	SIZE	LENGTH	TYPE	HEAD AF	WT./M	PRICE PER 1000	
							PLAIN
 For attaching sheet to sheet.	#14	7/8"	LAPTEK	5/16"	17.2#	179.50	193.00
	Note: Fasteners sold in quantities of 250 only.						
LONG-LIFE SELF-DRILLING FASTENERS	SIZE	LENGTH	TYPE	HEAD AF	WT./M	PRICE PER 1000	
							PLAIN
 For attaching sheet to Cees and Zees.	#14	1-1/4"	DRILLER	5/16"	19.2#	243.10	256.60
	Note: Fasteners sold in quantities of 250 only.						
METAL TO WOOD FASTENERS	SIZE	LENGTH	TYPE	HEAD AF	WT./M	PRICE PER 1000	
							PLAIN
 For attaching steel sheeting to a wood frame or wood decking	#10	1"	WOODGRIP	1/4"	8.2#	45.40	59.65
	#10	1-1/2"	WOODGRIP	1/4"	10.5#	56.55	70.80
	#10	2"	WOODGRIP	1/4"	12.3#	66.00	80.25
Note: Fasteners sold in quantities of 250 only.							
LONG-LIFE METAL TO WOOD FASTENERS	SIZE	LENGTH	TYPE	HEAD AF	WT./M	PRICE PER 1000	
							PLAIN
 For attaching steel sheeting to a wood frame or wood decking	#10	1"	WOODGRIP	5/16"	9.5#	171.85	185.35
	#10	1-1/2"	WOODGRIP	5/16"	11.5#	186.15	199.65
	#10	2"	WOODGRIP	5/16"	14.0#	256.25	269.75
Note: Fasteners sold in quantities of 250 only.							
STAINLESS STEEL POP RIVETS	SIZE	GRIP RANGE		WT./M.		PRICE PER 1000	
							PLAIN
	1/8" Diameter	.126" - .187"		2.8#		96.30	103.20
	Body and mandrel are stainless steel. Note: Fasteners sold in quantities of 250 only.						



2141 Second Avenue S.W.
 Cullman, Alabama 35055
 800.438.1606 Toll Free
 256.739.6827 Tel. | 256.739.5657 Fax

17600 Badtke Road
 Hockley, TX 77447
 1.866.749.COMP (2667) Toll Free
 281.213.6100 Tel. | 281.213.6101 Fax

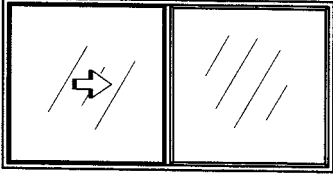
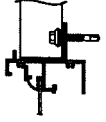



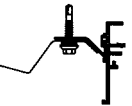

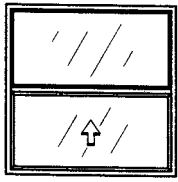
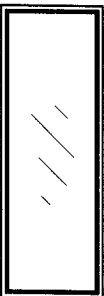
3387 Davey Allison Blvd.
 Hueytown, AL 35023
 1.877.887.4247 Toll Free
 205.744.1561 Tel. | 205.744.1562 Fax

www.inlandbuildings.com

ACCESSORIES

PERSONNEL DOOR UNITS	DESCRIPTION			PRICE PER UNIT
	DOOR SIZE	STYLE	WT./UNIT	WHITE FINISH
	3070 (single leaf)	"M"	166#	495.00
	3070 (single leaf)	"G" or "NL"	161#	552.00
	4070 (single leaf)	"M"	190#	604.55
	4070 (single leaf)	"G" or "NL"	185#	673.40
	6070 (double leaf)	"M"	265#	900.90
	6070 (double leaf)	"G" or "NL"	255#	1014.90
	<p>Single leaf door unit includes: leaf, frame with integral weather strip, assembly bolts, plain bearing hinges and threshold. Double leaf door unit includes: two surface bolts, handed astragal and lock hole filler plate in addition to the items listed for the single leaf unit. Glass and glazing is not included on "G" or "NL". All white door leaves are embossed. ADA regulations require lever lockset for public access buildings. * SBS standard door includes integral weather strip.</p>			
DOOR COMPONENTS	DESCRIPTION			PRICE PER UNIT
	3070 "M" Door Leaf only			237.50
	3070 "G" or "NL" Door Leaf only			294.50
	4070 "M" Door Leaf only			323.00
	4070 "G" or "NL" Door Leaf only			391.90
	3070 Frame, 8 1/4" Depth (includes assembly bolts)			257.50
	4070 Frame, 8 1/4" Depth (includes assembly bolts)			281.55
	6070 Frame, 8 1/4" Depth (includes assembly bolts)			425.90
	Handed Astragal (specify leaf attaching to)			43.75
	Lock Hole Filler Plate (used on inactive leaf)			7.50
	Aluminum Threshold (ADA) 1/2" high. (includes anchors, screws, and sweep)			
	3'-0"			26.25
	4'-0"			36.15
	6'-0"			52.50
	Surface Bolt, US26D (2 required per leaf)			66.75
	Full Mortise Hinges, 4 1/2" x 4 1/2" Steel, US26D, Non-Removable Pins, (3/Box)			
	Plain Bearing			34.05
	Ball Bearing			51.40
	Thru-Mounted, Hydraulic, Size IV Door Closer			136.25
	Standard Duty Cylindrical Lockset Knob, US32D			81.25
	Heavy Duty Cylindrical Lockset Knob, US26D			215.00
Lever Type Cylindrical Lockset, US26D (ADA)			136.25	
Mortise Lever Lockset, (function 86A), US26D (requires a specially prepared leaf) (ADA)			337.50	
Keyed Alike Charge, per Lock			15.00	
Surface Mounted Reversible Panic Device, US26D (has keyed lever for exterior entry) (ADA)			442.50	
Removable Mullion (Must be used on double leaf door when using above panic device), gray only			375.00	
Double Cylinder Dead Bolt, US32D, (lock only, door prep charges not included)			75.00	
Dead Bolt Preparation Charges for Door Leaf and Frame (this hands leaf and frame)			113.00	

ACCESSORIES

	DESCRIPTION	PRICE EACH															
<p>HORIZONTAL SLIDE WINDOWS</p>  <div style="display: flex; justify-content: space-around; margin-top: 10px;">   </div> <div style="display: flex; justify-content: space-around; margin-top: 10px;"> <p>Head</p> <p>Sill</p> </div> <div style="display: flex; justify-content: space-around; margin-top: 10px;">   </div> <div style="display: flex; justify-content: space-around; margin-top: 10px;"> <p>PBR Panel Fin</p> <p>PBU Panel Fin</p> </div> <div style="display: flex; justify-content: space-around; margin-top: 10px;">   </div> <div style="display: flex; justify-content: space-around; margin-top: 10px;"> <p>PBA Panel Fin</p> <p>Straight Panel Fin</p> </div>	<table border="1" style="width: 100%; border-collapse: collapse;"> <thead> <tr> <th style="width: 30%;">SIZE</th> <th style="width: 30%;">WT./EA.</th> <th style="width: 40%;">MILL FINISH ALUMINUM FRAME/FINS</th> </tr> </thead> <tbody> <tr> <td>3030 w/ half-screen</td> <td>24.0#</td> <td>195.00</td> </tr> <tr> <td>4030 w/ half-screen</td> <td>31.8#</td> <td>220.00</td> </tr> <tr> <td>6030 w/ half-screen</td> <td>43.8#</td> <td>265.00</td> </tr> <tr> <td>6040 w/ half-screen</td> <td>57.8#</td> <td>362.50</td> </tr> </tbody> </table> <p style="font-size: small; margin-top: 10px;">Specify PBR Panel, PBU Panel, A Panel, or Straight Fins. All windows have field installed fins to fit the specified panel. Width of window is indicated by the first two digits in the description and is measured center-to-center of the fins. Windows are self-framing and require no additional flashing or trim. Glass is clear DSB grade. LTL crating charge is \$50 per order.</p>	SIZE	WT./EA.	MILL FINISH ALUMINUM FRAME/FINS	3030 w/ half-screen	24.0#	195.00	4030 w/ half-screen	31.8#	220.00	6030 w/ half-screen	43.8#	265.00	6040 w/ half-screen	57.8#	362.50	
	SIZE	WT./EA.	MILL FINISH ALUMINUM FRAME/FINS														
	3030 w/ half-screen	24.0#	195.00														
	4030 w/ half-screen	31.8#	220.00														
	6030 w/ half-screen	43.8#	265.00														
	6040 w/ half-screen	57.8#	362.50														
<p>VERTICAL SLIDE WINDOWS</p> 	<table border="1" style="width: 100%; border-collapse: collapse;"> <thead> <tr> <th style="width: 30%;">SIZE</th> <th style="width: 30%;">WT./EA.</th> <th style="width: 40%;">MILL FINISH ALUMINUM FRAMES/FINS</th> </tr> </thead> <tbody> <tr> <td>3030 w/ half-screen</td> <td>30.0#</td> <td>292.50</td> </tr> <tr> <td>3040 w/ half-screen</td> <td>34.0#</td> <td>337.50</td> </tr> <tr> <td>3050 w/ half-screen</td> <td>38.0#</td> <td>385.00</td> </tr> </tbody> </table> <p style="font-size: small; margin-top: 10px;">Specify PBR Panel, PBU Panel, A Panel, or Straight Fins. All windows have field installed fins to fit the specified panel. Width of window is indicated by the first two digits in the description and is measured center-to-center of the fins. Windows are self-framing and require no additional flashing or trim. Glass is clear DSB grade. LTL crating charge is \$50 per order.</p>	SIZE	WT./EA.	MILL FINISH ALUMINUM FRAMES/FINS	3030 w/ half-screen	30.0#	292.50	3040 w/ half-screen	34.0#	337.50	3050 w/ half-screen	38.0#	385.00				
	SIZE	WT./EA.	MILL FINISH ALUMINUM FRAMES/FINS														
	3030 w/ half-screen	30.0#	292.50														
	3040 w/ half-screen	34.0#	337.50														
3050 w/ half-screen	38.0#	385.00															
<p>FIXED GLASS SLIMLINE WINDOWS</p> 	<table border="1" style="width: 100%; border-collapse: collapse;"> <thead> <tr> <th style="width: 30%;">SIZE</th> <th style="width: 30%;">WT./EA.</th> <th style="width: 40%;">BRONZE PAINTED ALUMINUM FRAMES/FINS</th> </tr> </thead> <tbody> <tr> <td>1070</td> <td>40.0#</td> <td>370.00</td> </tr> <tr> <td>2060</td> <td>50.0#</td> <td>402.50</td> </tr> <tr> <td>2070</td> <td>52.0#</td> <td>415.00</td> </tr> </tbody> </table> <p style="font-size: small; margin-top: 10px;">Specify PBR Panel, PBU Panel, A Panel, or Straight Fins. All windows have field installed fins to fit the specified panel. Width of window is indicated by the first two digits in the description and is measured center-to-center of the fins. Windows are self-framing and require no additional flashing or trim. Glass is 1/8" Gray Tinted Tempered. LTL crating charge is \$50 per order.</p>	SIZE	WT./EA.	BRONZE PAINTED ALUMINUM FRAMES/FINS	1070	40.0#	370.00	2060	50.0#	402.50	2070	52.0#	415.00				
	SIZE	WT./EA.	BRONZE PAINTED ALUMINUM FRAMES/FINS														
	1070	40.0#	370.00														
	2060	50.0#	402.50														
2070	52.0#	415.00															



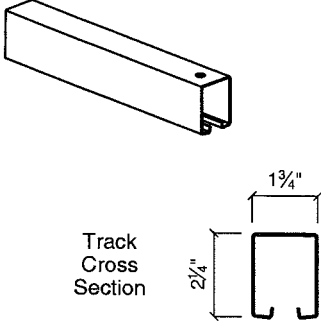
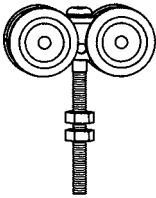
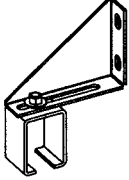
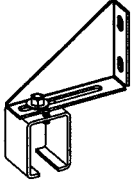

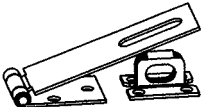
2141 Second Avenue S.W.
 Cullman, Alabama 35055
 800.438.1606 Toll Free
 256.739.6827 Tel. | 256.739.5657 Fax

17600 Badtke Road
 Hockley, TX 77447
 1.866.749.COMP (2667) Toll Free
 281.213.6100 Tel. | 281.213.6101 Fax

3387 Davey Allison Blvd.
 Hueytown, AL 35023
 1.877.887.4247 Toll Free
 205.744.1561 Tel. | 205.744.1562 Fax

www.inlandbuildings.com

ACCESSORIES

NATIONAL SLIDING DOOR TRACK	DESCRIPTION		PRICE EACH
	LENGTH	WT./EA.	
 <p>Track Cross Section</p> <p>All track is 16 ga. Galvanized.</p>	Door Track x 8'-0	14.2#	40.50
	Door Track x 10'-0	16.5#	60.00
	Door Track x 12'-0	20.8#	73.20
	Door Track x 14'-0	23.6#	80.25
	Door Track x 16'-0	28.3#	96.25
	Door Track x 18'-0	31.9#	109.75
	Door Track x 20'-0	33.0#	120.00
	Maximum door weight should be 400 lbs.		
NATIONAL SLIDING DOOR HARDWARE	DESCRIPTION		PRICE EACH
	ITEM	WT./EA.	
	 <p>2 1/8" diameter Trolley Truck w/ 5 1/2" bolt. (max. door weight 400 lbs.)</p>	1.2#	21.55
	 <p>Track Hanger Bracket. (use every 2' of track)</p>	1.4#	16.90
	 <p>Track Hanger/Splice Bracket (has set screw)</p>	1.5#	22.25
	 <p>#7 Extra Heavy Duty Door Pull.</p>	.9#	9.40
 <p>4 1/2" Hasp and Staple set.</p> <p>All hardware is zinc-plated.</p>	.3#	5.25	