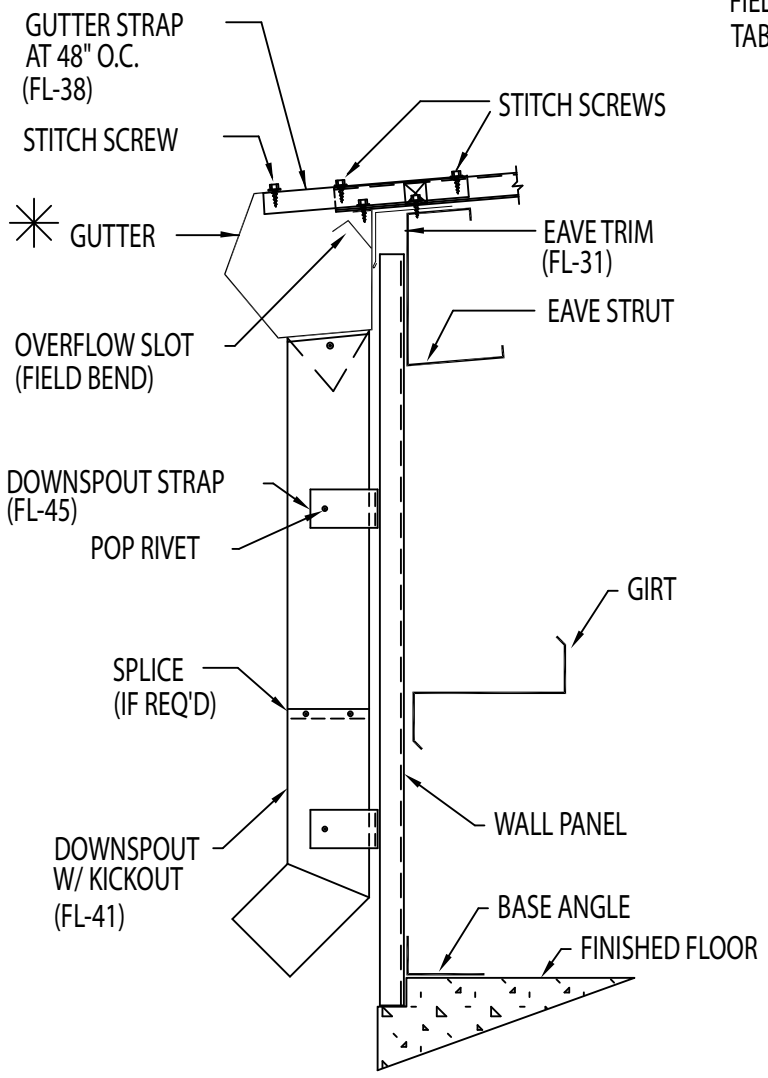


DOWNSPOUT ATTACHMENT TO WALL PANEL



D.S. STRAP QUANTITY	
EAVE HEIGHT	QUANTITY
10'-0"	2
12'-0"	2
14'-0"	3
16'-0"	3
20'-0"	4
25'-0"	5

DOWNSPOUT DETAIL AT SHEETED WALL

GUTTER AND DOWNSPOUT DETAIL AT SHEETED WALL

\* NOTE: TRIM PROFILE MAY VARY

DRAWING NO.

**D9**