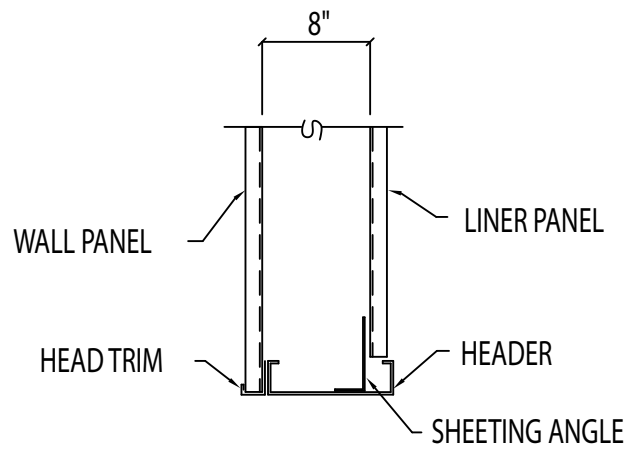
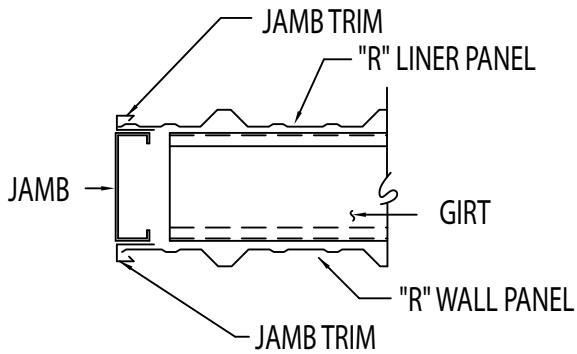


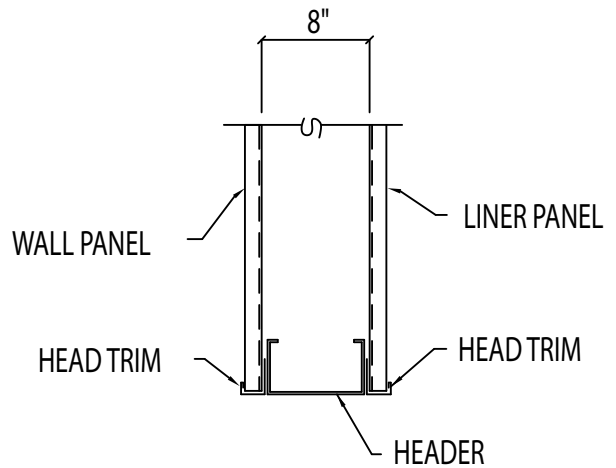
SECTION AT O.H. DOOR JAMB



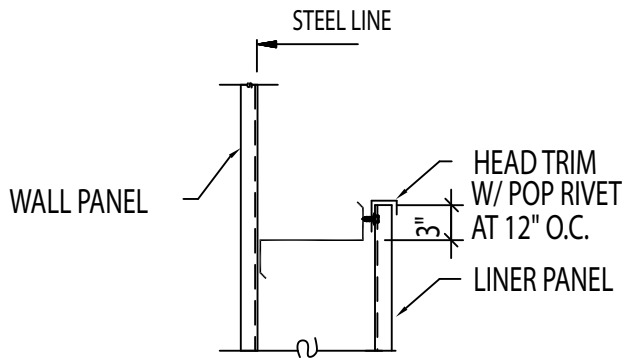
SECTION AT O.H. DOOR HEADER



SECTION AT FRAMED OPENING JAMB



SECTION AT FRAMED OPENING HEADER



LINER TERMINATION ABOVE GIRT ELEVATION

WALL LINER DETAILS (GIRT AND FRAMED OPENING SECTIONS)

DRAWING NO.

D26B