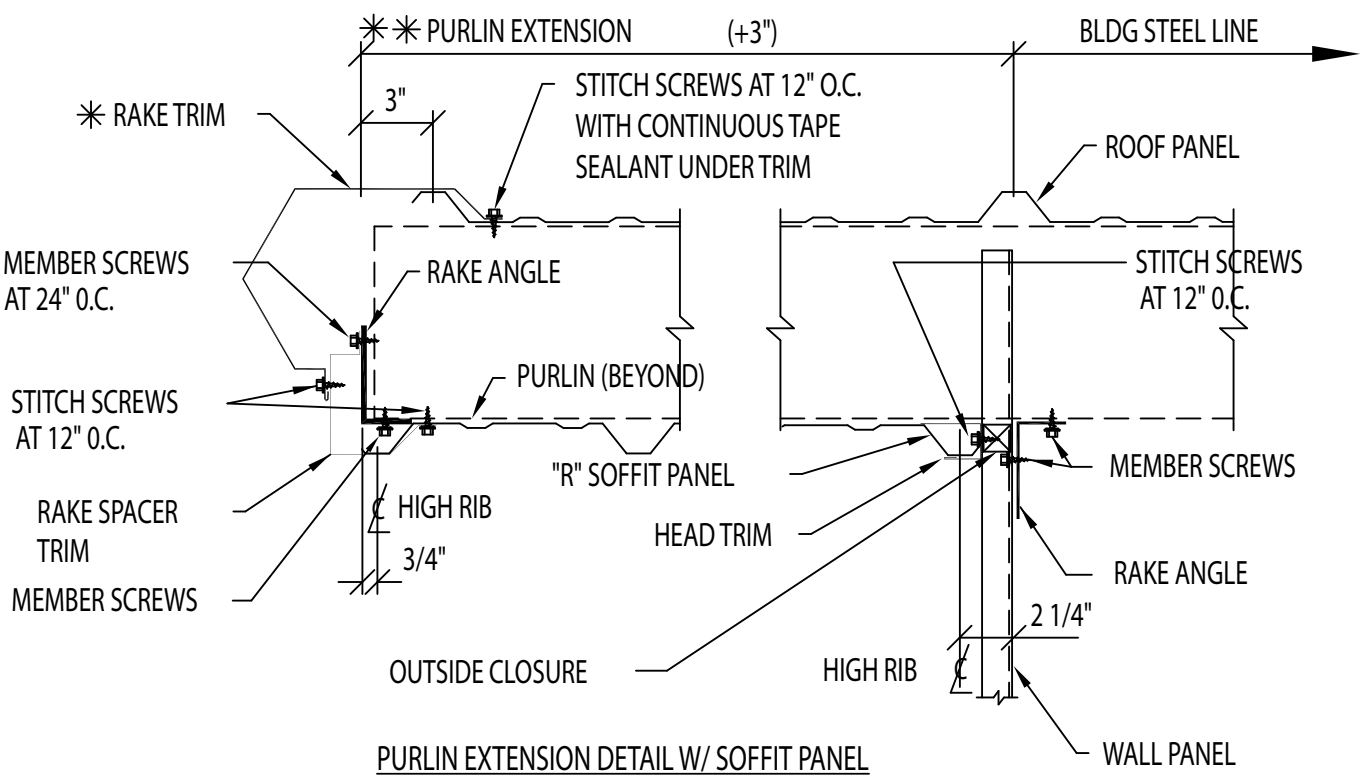


PURLIN EXTENSION DETAIL W/O SOFFIT PANEL



PURLIN EXTENSION DETAIL W/ SOFFIT PANEL

PURLIN EXTENSION TRIM DETAILS

- * NOTE: TRIM PROFILE MAY VARY
- ** NOTE: DIMENSIONS WILL VARY WHEN USED IN CONJUNCTION WITH AN EAVE CANOPY

DRAWING NO.

D28