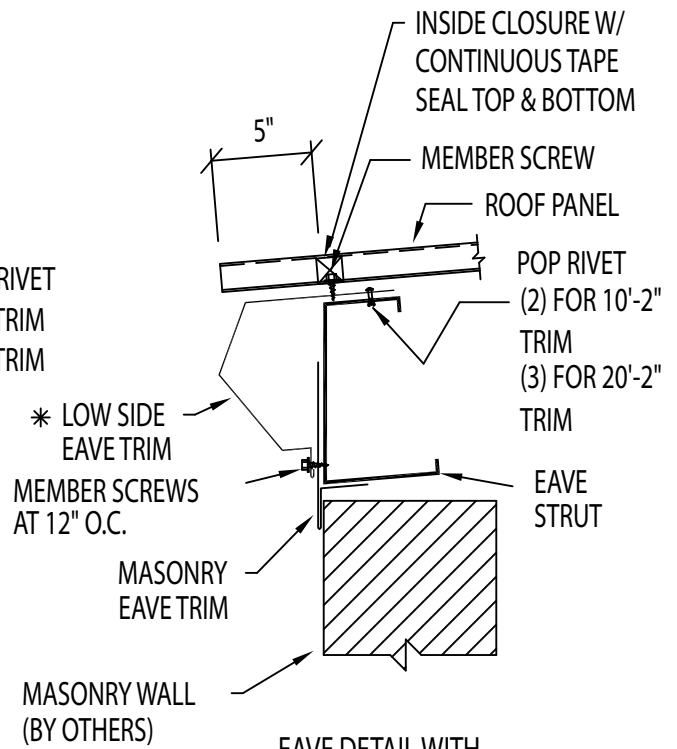
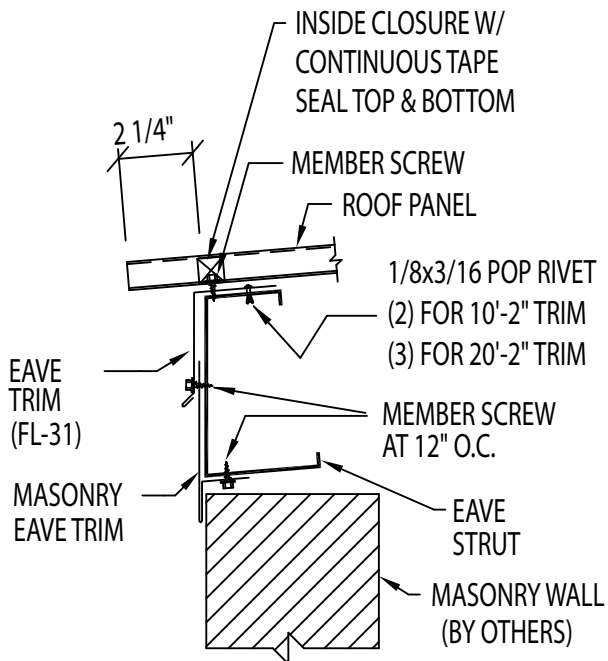


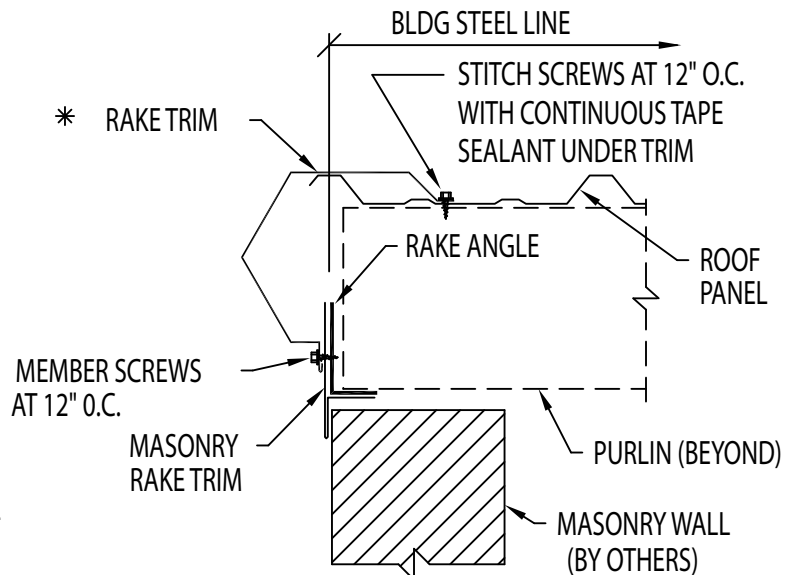
EAVE DETAIL WITH GUTTER



EAVE DETAIL WITH LOW SIDE EAVE TRIM



EAVE DETAIL WITH MASONRY EAVE TRIM



RAKE DETAIL WITH MASONRY RAKE TRIM

NOTE: POP RIVETS AND EAVE TRIM TO BE INSTALLED BEFORE ROOF INSULATION

MASONRY TRIM DETAILS AT EAVE AND RAKE

* NOTE: TRIM PROFILE MAY VARY

DRAWING NO.

D44