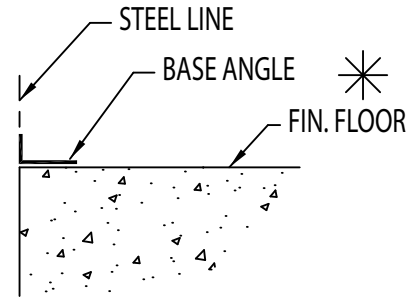
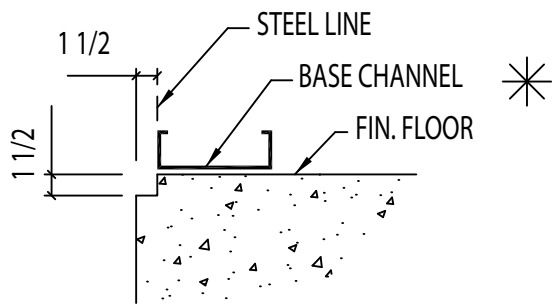


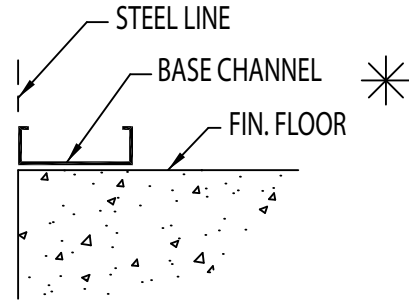
**BASE ANGLE**  
W/ PANEL RECESS



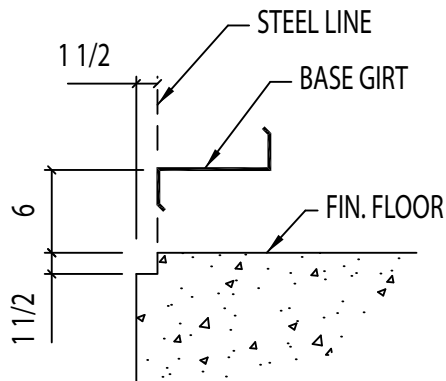
**BASE ANGLE**  
W/O PANEL RECESS



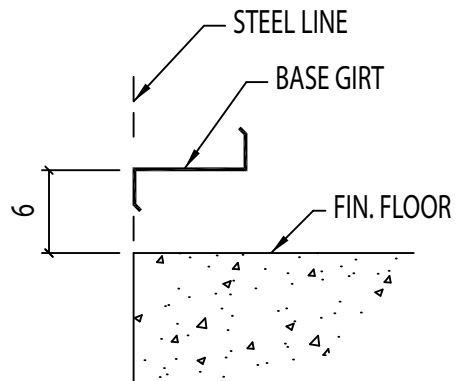
**BASE CHANNEL**  
W/ PANEL RECESS



**BASE CHANNEL**  
W/O PANEL RECESS



**BASE GIRT**  
W/ PANEL RECESS



**BASE GIRT**  
W/O PANEL RECESS

**BASE CONDITIONS (MEMBERS)**

\* NOTE: ATTACHMENT OF BASE MEMBER TO CONCRETE, BY OTHERS

DRAWING NO.

**D62A**