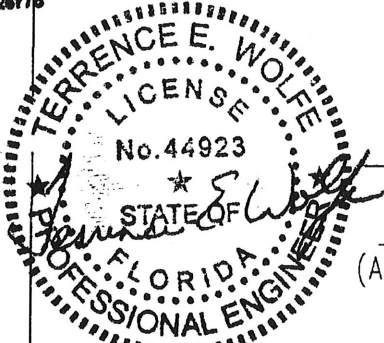
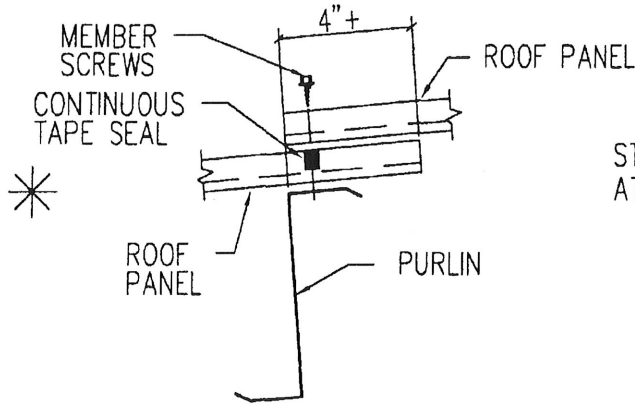
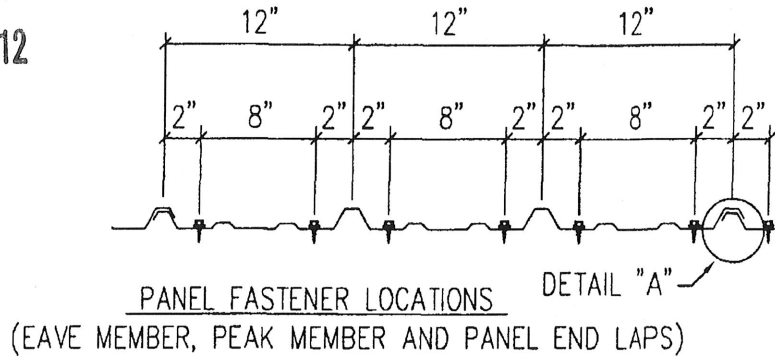
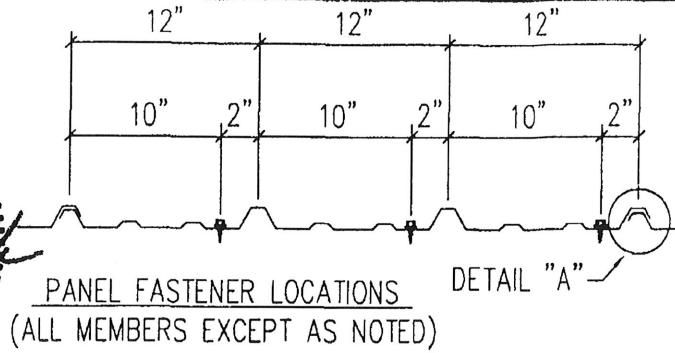


26 Ga. PBR Roof Panel over Open Framing

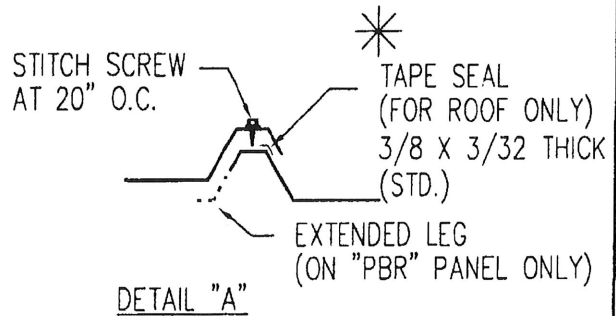
State of Florida
C.O.A.
28778



AUG 01 2012



SECTION THRU PANEL END LAPS



DETAIL "A"

NOTE:
SCREW PATTERNS SHOWN
SATISFY U.L. 90 REQUIRE-
MENTS FOR ROOF

FASTENER LOCATION "R" AND "PBR" PANEL AT ROOF

* 1" WIDE X 3/32 TAPE SEAL (OPTIONAL) MUST BE SPECIFIED ON THE WORK ORDER

REV. DATE: 11-23-05 K.C.

DRAWING NO.

D2