



2141 Second Avenue S.W.
 Cullman, Alabama 35055
 800.438.1606 Toll Free
 256.739.6827 Tel. | 256.739.5657 Fax

17600 Badtke Road
 Hockley, TX 77447
 1.866.749.COMP (2667) Toll Free
 281.213.6100 Tel. | 281.213.6101 Fax

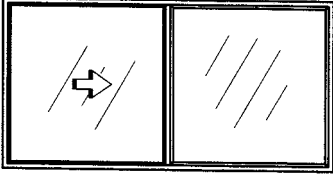
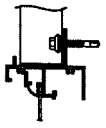



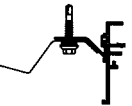

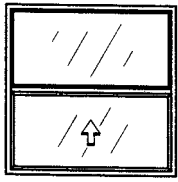
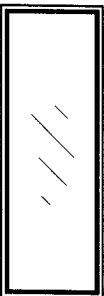
3387 Davey Allison Blvd.
 Hueytown, AL 35023
 1.877.887.4247 Toll Free
 205.744.1561 Tel. | 205.744.1562 Fax

www.inlandbuildings.com

ACCESSORIES

PERSONNEL DOOR UNITS	DESCRIPTION			PRICE PER UNIT
	DOOR SIZE	STYLE	WT./UNIT	WHITE FINISH
	3070 (single leaf)	"M"	166#	495.00
	3070 (single leaf)	"G" or "NL"	161#	552.00
	4070 (single leaf)	"M"	190#	604.55
	4070 (single leaf)	"G" or "NL"	185#	673.40
	6070 (double leaf)	"M"	265#	900.90
	6070 (double leaf)	"G" or "NL"	255#	1014.90
	Single leaf door unit includes: leaf, frame with integral weather strip, assembly bolts, plain bearing hinges and threshold. Double leaf door unit includes: two surface bolts, handed astragal and lock hole filler plate in addition to the items listed for the single leaf unit. Glass and glazing is not included on "G" or "NL". All white door leaves are embossed. ADA regulations require lever lockset for public access buildings. * SBS standard door includes integral weather strip.			
DOOR COMPONENTS	DESCRIPTION			PRICE PER UNIT
	3070 "M" Door Leaf only			237.50
	3070 "G" or "NL" Door Leaf only			294.50
	4070 "M" Door Leaf only			323.00
	4070 "G" or "NL" Door Leaf only			391.90
	3070 Frame, 8 1/4" Depth (includes assembly bolts)			257.50
	4070 Frame, 8 1/4" Depth (includes assembly bolts)			281.55
	6070 Frame, 8 1/4" Depth (includes assembly bolts)			425.90
	Handed Astragal (specify leaf attaching to)			43.75
	Lock Hole Filler Plate (used on inactive leaf)			7.50
	Aluminum Threshold (ADA) 1/2" high. (includes anchors, screws, and sweep)			
	3'-0"			26.25
	4'-0"			36.15
	6'-0"			52.50
	Surface Bolt, US26D (2 required per leaf)			66.75
	Full Mortise Hinges, 4 1/2" x 4 1/2" Steel, US26D, Non-Removable Pins, (3/Box)			
	Plain Bearing			34.05
	Ball Bearing			51.40
	Thru-Mounted, Hydraulic, Size IV Door Closer			136.25
	Standard Duty Cylindrical Lockset Knob, US32D			81.25
	Heavy Duty Cylindrical Lockset Knob, US26D			215.00
Lever Type Cylindrical Lockset, US26D (ADA)			136.25	
Mortise Lever Lockset, (function 86A), US26D (requires a specially prepared leaf) (ADA)			337.50	
Keyed Alike Charge, per Lock			15.00	
Surface Mounted Reversible Panic Device, US26D (has keyed lever for exterior entry) (ADA)			442.50	
Removable Mullion (Must be used on double leaf door when using above panic device), gray only			375.00	
Double Cylinder Dead Bolt, US32D, (lock only, door prep charges not included)			75.00	
Dead Bolt Preparation Charges for Door Leaf and Frame (this hands leaf and frame)			113.00	

ACCESSORIES

	DESCRIPTION	PRICE EACH															
<p>HORIZONTAL SLIDE WINDOWS</p>  <div style="display: flex; justify-content: space-around; margin-top: 10px;">   </div> <div style="display: flex; justify-content: space-around; margin-top: 10px;"> <p>Head</p> <p>Sill</p> </div> <div style="display: flex; justify-content: space-around; margin-top: 10px;">   </div> <div style="display: flex; justify-content: space-around; margin-top: 10px;"> <p>PBR Panel Fin</p> <p>PBU Panel Fin</p> </div> <div style="display: flex; justify-content: space-around; margin-top: 10px;">   </div> <div style="display: flex; justify-content: space-around; margin-top: 10px;"> <p>PBA Panel Fin</p> <p>Straight Panel Fin</p> </div>	<table border="1" style="width: 100%; border-collapse: collapse;"> <thead> <tr> <th style="width: 30%;">SIZE</th> <th style="width: 30%;">WT./EA.</th> <th style="width: 40%;">MILL FINISH ALUMINUM FRAME/FINS</th> </tr> </thead> <tbody> <tr> <td>3030 w/ half-screen</td> <td>24.0#</td> <td>195.00</td> </tr> <tr> <td>4030 w/ half-screen</td> <td>31.8#</td> <td>220.00</td> </tr> <tr> <td>6030 w/ half-screen</td> <td>43.8#</td> <td>265.00</td> </tr> <tr> <td>6040 w/ half-screen</td> <td>57.8#</td> <td>362.50</td> </tr> </tbody> </table> <p style="font-size: small; margin-top: 10px;">Specify PBR Panel, PBU Panel, A Panel, or Straight Fins. All windows have field installed fins to fit the specified panel. Width of window is indicated by the first two digits in the description and is measured center-to-center of the fins. Windows are self-framing and require no additional flashing or trim. Glass is clear DSB grade. LTL crating charge is \$50 per order.</p>	SIZE	WT./EA.	MILL FINISH ALUMINUM FRAME/FINS	3030 w/ half-screen	24.0#	195.00	4030 w/ half-screen	31.8#	220.00	6030 w/ half-screen	43.8#	265.00	6040 w/ half-screen	57.8#	362.50	
	SIZE	WT./EA.	MILL FINISH ALUMINUM FRAME/FINS														
	3030 w/ half-screen	24.0#	195.00														
	4030 w/ half-screen	31.8#	220.00														
	6030 w/ half-screen	43.8#	265.00														
	6040 w/ half-screen	57.8#	362.50														
<p>VERTICAL SLIDE WINDOWS</p> 	<table border="1" style="width: 100%; border-collapse: collapse;"> <thead> <tr> <th style="width: 30%;">SIZE</th> <th style="width: 30%;">WT./EA.</th> <th style="width: 40%;">MILL FINISH ALUMINUM FRAMES/FINS</th> </tr> </thead> <tbody> <tr> <td>3030 w/ half-screen</td> <td>30.0#</td> <td>292.50</td> </tr> <tr> <td>3040 w/ half-screen</td> <td>34.0#</td> <td>337.50</td> </tr> <tr> <td>3050 w/ half-screen</td> <td>38.0#</td> <td>385.00</td> </tr> </tbody> </table> <p style="font-size: small; margin-top: 10px;">Specify PBR Panel, PBU Panel, A Panel, or Straight Fins. All windows have field installed fins to fit the specified panel. Width of window is indicated by the first two digits in the description and is measured center-to-center of the fins. Windows are self-framing and require no additional flashing or trim. Glass is clear DSB grade. LTL crating charge is \$50 per order.</p>	SIZE	WT./EA.	MILL FINISH ALUMINUM FRAMES/FINS	3030 w/ half-screen	30.0#	292.50	3040 w/ half-screen	34.0#	337.50	3050 w/ half-screen	38.0#	385.00				
	SIZE	WT./EA.	MILL FINISH ALUMINUM FRAMES/FINS														
	3030 w/ half-screen	30.0#	292.50														
	3040 w/ half-screen	34.0#	337.50														
3050 w/ half-screen	38.0#	385.00															
<p>FIXED GLASS SLIMLINE WINDOWS</p> 	<table border="1" style="width: 100%; border-collapse: collapse;"> <thead> <tr> <th style="width: 30%;">SIZE</th> <th style="width: 30%;">WT./EA.</th> <th style="width: 40%;">BRONZE PAINTED ALUMINUM FRAMES/FINS</th> </tr> </thead> <tbody> <tr> <td>1070</td> <td>40.0#</td> <td>370.00</td> </tr> <tr> <td>2060</td> <td>50.0#</td> <td>402.50</td> </tr> <tr> <td>2070</td> <td>52.0#</td> <td>415.00</td> </tr> </tbody> </table> <p style="font-size: small; margin-top: 10px;">Specify PBR Panel, PBU Panel, A Panel, or Straight Fins. All windows have field installed fins to fit the specified panel. Width of window is indicated by the first two digits in the description and is measured center-to-center of the fins. Windows are self-framing and require no additional flashing or trim. Glass is 1/8" Gray Tinted Tempered. LTL crating charge is \$50 per order.</p>	SIZE	WT./EA.	BRONZE PAINTED ALUMINUM FRAMES/FINS	1070	40.0#	370.00	2060	50.0#	402.50	2070	52.0#	415.00				
	SIZE	WT./EA.	BRONZE PAINTED ALUMINUM FRAMES/FINS														
	1070	40.0#	370.00														
	2060	50.0#	402.50														
2070	52.0#	415.00															



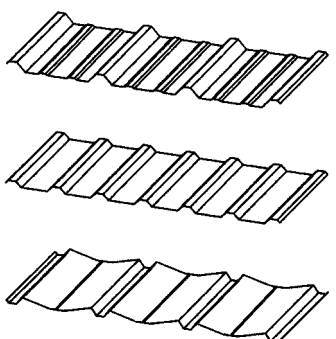
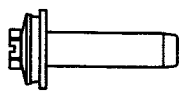
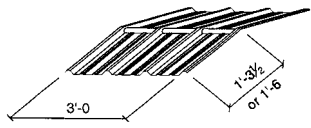
2141 Second Avenue S.W.
 Cullman, Alabama 35055
 800.438.1606 Toll Free
 256.739.6827 Tel. | 256.739.5657 Fax

17600 Badtke Road
 Hockley, TX 77447
 1.866.749.COMP (2667) Toll Free
 281.213.6100 Tel. | 281.213.6101 Fax

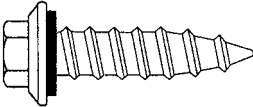
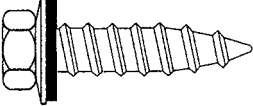
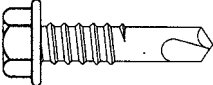
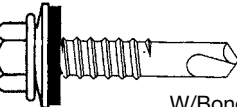
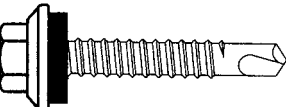
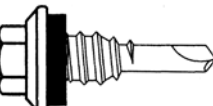
3387 Davey Allison Blvd.
 Hueytown, AL 35023
 1.877.887.4247 Toll Free
 205.744.1561 Tel. | 205.744.1562 Fax

www.inlandbuildings.com

ACCESSORIES

	TYPE	COLOR	LENGTH	WT./EA	PRICE EACH		
<p style="text-align: center;">LIGHT TRANSMITTING PANELS</p>  <p style="font-size: small;">WARNING: These light transmitting panels are not designed or intended to bear the weight of any person walking, stepping, standing or resting on them. Schulte Building Systems DISCLAIMS ANY WARRANTY OR REPRESENTATION, EXPRESSED OR IMPLIED, that any person can safely walk, step, stand or rest on or near these light transmitting panels or that they comply with any OSHA regulation.</p>	R	White	10'-8"	17.5#	116.55		
	R	White	12'-0"	19.0#	131.10		
	U	White	10'-8"	17.5#	116.55		
	A	White	11'-0"	18.1#	106.30		
All panels are translucent white fiberglass with woven fiberglass mat, weighing a nominal 8 oz. per sq. ft., approx. 46 % light transmission. Motor Freight Crating \$6.00 per foot. Maximum 100 per bundle.							
<p style="text-align: center;">STAINLESS GROMMETS</p>  <p style="font-size: x-small;">For stitching light transmitting panels together.</p>	DESCRIPTION		WT./1000		PRICE PER 1000		
	#6-32 x 1" hole slotted hex head 305 stainless steel machine screw preassembled to 1/2" O.D. washer and neoprene grommet with "molded-in" nut. White only.		4.9#		1110.00		
<p style="text-align: center;">DIE-FORMED RIDGE CAP</p>  <p style="font-size: x-small;">(Specify roof slope here)</p>	TYPE	GAUGE	LENGTH	WT./EA.	PRICE PER EACH		
					GALVALUME	SMP	KYNAR
	R	26	2'-6"	7.0#	12.25	15.10	16.60
	U	26	2'-6"	7.0#	12.25	15.10	16.60
	R	26	3'-0"	8.1#	13.95	17.40	19.25
	U	26	3'-0"	8.1#	13.95	17.40	19.25

ACCESSORIES

 SELF-TAPPING CARBON STEEL FASTENERS <small>Holes must be pre-drilled through all metal when using this type of fastener</small>	SIZE	LENGTH	TYPE	HEAD AF	WT./M	PRICE PER 1000		
							PLAIN	PAINTED
	#14	3/4"	A	5/16"	13.2#	81.00	95.25	
	#14	1"	A	5/16"	17.0#	94.90	109.15	
	#14	1-1/2"	A	5/16"	21.0#	110.80	125.05	
	#17	1"	AB	5/16"	16.0#	158.25	172.50	
<small>Note: Fasteners sold in quantities of 250 only.</small>								
 304 STAINLESS STEEL SELF-TAPPING FASTENERS <small>Holes must be pre-drilled through all metal when using this fastener. CAUTION: The threads on 304 SS fasteners are softer than carbon steel and will strip out if over-torqued or forced into too small a hole.</small>	SIZE	LENGTH	TYPE	HEAD AF	WT./M	PRICE PER 1000		
							PLAIN	PAINTED
	#14	3/4"	A	3/8"	14.7#	244.75	259.00	
	#14	1"	A	3/8"	17.0#	281.85	296.10	
	#14	1 1/2"	A	3/8"	21.4#	360.90	375.20	
#17	1"	AB	3/8"	21.0#	373.90	388.15		
<small>Note: Fasteners sold in quantities of 250 only.</small>								
 MINI-WAREHOUSE SELF-DRILLING CARBON STEEL FASTENERS <small>No washer</small>	SIZE	LENGTH	TYPE	HEAD AF	WT./M	PRICE PER 1000		
							PLAIN	PAINTED
	#12	7/8"	DRILLER	5/16"	8.7#	74.55	88.80	
<small>Note: Fasteners sold in quantities of 250 only.</small>								
 MINI-WAREHOUSE SELF-DRILLING CARBON STEEL FASTENERS <small>W/Bonded Washer</small>	SIZE	LENGTH	TYPE	HEAD AF	WT./M	PRICE PER 1000		
							PLAIN	PAINTED
	#12	7/8"	DRILLER	5/16"	11.7#	92.15	106.40	
<small>Note: Fasteners sold in quantities of 250 only.</small>								
 SELF-DRILLING CARBON STEEL FASTENERS <small>For attaching sheet to Ceas and Zees.</small>	SIZE	LENGTH	TYPE	HEAD AF	WT./M	PRICE PER 1000		
							PLAIN	PAINTED
	#12	1-1/4"	DRILLER	5/16"	16.2#	84.45	99.70	
	#12	1-1/2"	DRILLER	5/16"	17.1#	108.30	122.55	
#12	2"	DRILLER	5/16"	20.0#	172.60	186.85		
<small>Note: Fasteners sold in quantities of 250 only.</small>								
 SELF-DRILLING CARBON STEEL FASTENERS <small>For attaching sheet to sheet.</small>	SIZE	LENGTH	TYPE	HEAD AF	WT./M	PRICE PER 1000		
							PLAIN	PAINTED
	#14	7/8"	LAPTEK	5/16"	12.6#	87.60	101.85	
<small>Note: Fasteners sold in quantities of 250 only.</small>								



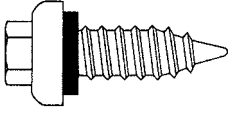
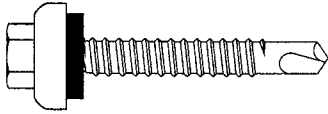
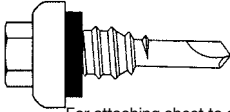
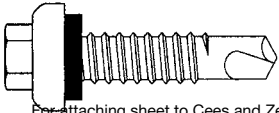
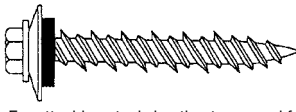
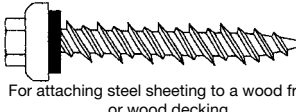
2141 Second Avenue S.W.
 Cullman, Alabama 35055
 800.438.1606 Toll Free
 256.739.6827 Tel. | 256.739.5657 Fax

17600 Badtke Road
 Hockley, TX 77447
 1.866.749.COMP (2667) Toll Free
 281.213.6100 Tel. | 281.213.6101 Fax

3387 Davey Allison Blvd.
 Hueytown, AL 35023
 1.877.887.4247 Toll Free
 205.744.1561 Tel. | 205.744.1562 Fax

www.inlandbuildings.com

ACCESSORIES

LONG-LIFE SELF-TAPPING FASTENERS	SIZE	LENGTH	TYPE	HEAD AF	WT./M	PRICE PER 1000	
						PLAIN	PAINTED
 Holes must be pre-drilled through all metal when using this type of fastener.	#14	1"	AB	5/16"	17.9#	232.70	246.20
	#17	1"	AB	5/16"	18.0#	270.20	283.70
	Note: Fasteners sold in quantities of 250 only.						
LONG-LIFE SELF-DRILLING FASTENERS	SIZE	LENGTH	TYPE	HEAD AF	WT./M	PRICE PER 1000	
 For attaching sheet to Cees and Zees.	#12	1-1/4"	DRILLER	5/16"	18.1#	177.50	190.95
	#12	1-1/2"	DRILLER	5/16"	19.2#	217.25	230.75
	#12	2"	DRILLER	5/16"	20.7#	279.60	293.10
	Note: Fasteners sold in quantities of 250 only.						
LONG-LIFE SELF-DRILLING FASTENERS	SIZE	LENGTH	TYPE	HEAD AF	WT./M	PRICE PER 1000	
 For attaching sheet to sheet.	#14	7/8"	LAPTEK	5/16"	17.2#	179.50	193.00
	Note: Fasteners sold in quantities of 250 only.						
LONG-LIFE SELF-DRILLING FASTENERS	SIZE	LENGTH	TYPE	HEAD AF	WT./M	PRICE PER 1000	
 For attaching sheet to Cees and Zees.	#14	1-1/4"	DRILLER	5/16"	19.2#	243.10	256.60
	Note: Fasteners sold in quantities of 250 only.						
METAL TO WOOD FASTENERS	SIZE	LENGTH	TYPE	HEAD AF	WT./M	PRICE PER 1000	
 For attaching steel sheeting to a wood frame or wood decking	#10	1"	WOODGRIP	1/4"	8.2#	45.40	59.65
	#10	1-1/2"	WOODGRIP	1/4"	10.5#	56.55	70.80
	#10	2"	WOODGRIP	1/4"	12.3#	66.00	80.25
	Note: Fasteners sold in quantities of 250 only.						
LONG-LIFE METAL TO WOOD FASTENERS	SIZE	LENGTH	TYPE	HEAD AF	WT./M	PRICE PER 1000	
 For attaching steel sheeting to a wood frame or wood decking	#10	1"	WOODGRIP	5/16"	9.5#	171.85	185.35
	#10	1-1/2"	WOODGRIP	5/16"	11.5#	186.15	199.65
	#10	2"	WOODGRIP	5/16"	14.0#	256.25	269.75
	Note: Fasteners sold in quantities of 250 only.						



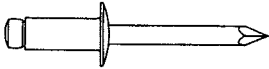

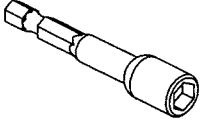
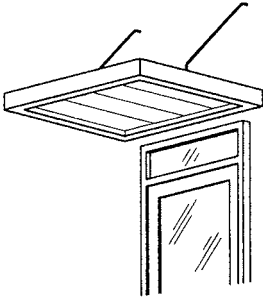
2141 Second Avenue S.W.
 Cullman, Alabama 35055
 800.438.1606 Toll Free
 256.739.6827 Tel. | 256.739.5657 Fax

17600 Badtke Road
 Hockley, TX 77447
 1.866.749.COMP (2667) Toll Free
 281.213.6100 Tel. | 281.213.6101 Fax

3387 Davey Allison Blvd.
 Hueytown, AL 35023
 1.877.887.4247 Toll Free
 205.744.1561 Tel. | 205.744.1562 Fax

www.inlandbuildings.com

ACCESSORIES

STAINLESS STEEL POP RIVETS 	SIZE		GRIP RANGE	WT./M.	PRICE PER 1000	
	1/8" Diameter		.126" - .187"	2.8#	PLAIN	PAINTED
					96.30	103.20
Body and mandrel are stainless steel. Note: Fasteners sold in quantities of 250 only.						
DRILL BITS 	SIZE		DIA.	USED FOR		PRICE EACH
	#30		(.1285")	Pop rivets, pilot holes for #14 stitch		1.70
	#8		(.199")	#14 members/stitch		3.15
	7/32"		(.219")	#14 stainless steel members/stitch		3.50
	#1		(.228")	#14 into heavy structural		3.35
MAGNETIC SOCKET (HEX DRIVE) 	SIZE		USED FOR			PRICE EACH
	3/8"		#14 driller or tapper			8.25
	5/16"		#12 driller			6.60
	1/4"		#10 wood fastener			5.80
PERSONNEL DOOR CANOPY KIT 	WIDTH	FINISH	GAUGE	WT./EA.	PRICE EACH	
	4'-6	White	26	100#	778.15	
	4'-6	Color	26	100#	845.15	
	7'-6	White	26	165#	1377.60	
	7'-6	Color	26	165#	1426.60	
Canopy extends 4' from building wall and includes support system for easy installation in existing buildings.						
Price includes wood crating and all necessary hardware for installation.						



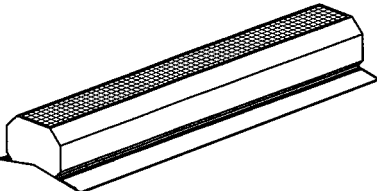
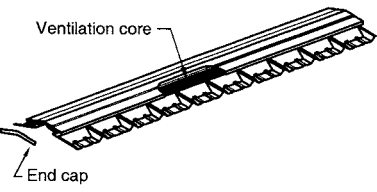
2141 Second Avenue S.W.
 Cullman, Alabama 35055
 800.438.1606 Toll Free
 256.739.6827 Tel. | 256.739.5657 Fax

17600 Badtke Road
 Hockley, TX 77447
 1.866.749.COMP (2667) Toll Free
 281.213.6100 Tel. | 281.213.6101 Fax

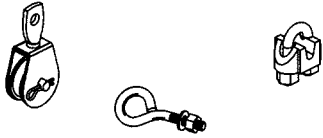
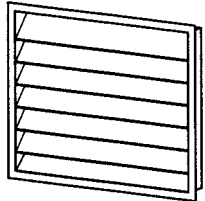

3387 Davey Allison Blvd.
 Hueytown, AL 35023
 1.877.887.4247 Toll Free
 205.744.1561 Tel. | 205.744.1562 Fax

www.inlandbuildings.com

ACCESSORIES

	DESCRIPTION	WT./EA.	PRICE EACH	
			GALVALUME®	WHITE
CIRCULAR GRAVITY VENTILATORS 	20" Diameter Throat, 26 GA, w/ damper	70.0#	324.25	330.75
	24" Diameter Throat, 26 GA, w/ damper	70.0#	477.70	487.25
<p>All ventilators have bird screen and damper.</p> <p>Pricing shown is for ventilators mounted into a matching finish PBR panel 3'-0" ridge cap. Stocked in 1:12 slope only.</p> <p>For ventilators mounted into a PBU panel 3'-0" ridge cap or any other roof slope on a PBR panel 3'-0" ridge cap (up to 6:12), please inquire.</p> <p>For ventilators mounted into a flat skirt, no extra charge.</p> <p>For ventilators to be slope-mounted into a 6'-0 long PBR panel, add \$25.00 per vent.</p> <p>For standard color ventilators other than Polar White, please inquire.</p> <p>For hardware required for adjustable ventilators, see page CIP-21.</p> <p>For chain operated ventilators, please inquire.</p>				
	DESCRIPTION	WT./EA.	PRICE EACH	
			GALVALUME®	WHITE
CONTINUOUS THROAT GRAVITY RIDGE VENTILATORS 	9" Throat x 10' Long, 26 GA, w/ damper	207.0#	526.70	568.50
	12" Throat x 10' Long, 26 GA, w/ damper	223.0#	656.40	706.85
<p>All ventilators have bird screen and damper.</p> <p>Pricing shown is for ventilators with flat skirts only.</p> <p>Included with each ventilator are splice plates, end skirts, and special rope sealant.</p> <p>All ventilators will conform to roof slopes up to 6:12.</p> <p>For standard color ventilators other than Polar White, please inquire.</p> <p>Die-formed skirts are for PBR panel available in 24 gauge GALVALUME® and Polar White only. Please inquire.</p> <p>For hardware required for adjustable ventilators, see page CIP-21.</p> <p>For chain operated ventilators, please inquire.</p>				
	DESCRIPTION	WT./EA.	PRICE EACH	
			GALVALUME® or WHITE	
			FIXED OPEN ONLY	
RIDGELINE CORAVENT LO-PROFILE FLOATING RIDGE VENT 	7" Throat x 10' Long, 24 GA	65.0#	372.50	
	End Cap (2 per run required.)		17.50	
	Optional Splice Kit (Splice cover and sealant)		23.75	
<p>Designed for minimal ventilation with lower profile appearance.</p> <p>For Coravent with flat skirts, no extra charge.</p> <p>Must specify roof slope (up to 12:12).</p> <p>For standard color Coravent other than Polar White, please inquire.</p> <p>Die-formed skirts are for PBR panel available in 24 gauge GALVALUME® and Polar White only.</p> <p>End caps and splice kits are sold separately.</p>				

ACCESSORIES

	DESCRIPTION				PRICE EACH	
<p style="text-align: center;">VENTILATOR HARDWARE</p> 	Galvanized 3/16" Vent Cable Vent Pulley 1/4" x 2" Eye Bolt w/ Nuts Cable Clamps Operator Handle				.42 4.75 .45 .60 54.05	
<p style="text-align: center;">STEEL LOUVERS</p>  <p style="font-size: small;">All louvers have 18 gauge frames, 20 gauge blades and choice of bird or insect screen.</p>	WIDTH	HEIGHT	TYPE	WT./EA.	PRICE EACH	
					GALVANIZED	COLORS
	3'	x 3'	Fixed or Adjustable	54.0#	623.25	660.70
	3'	x 4'	Fixed or Adjustable	72.0#	633.25	670.70
	3'	x 5'	Fixed or Adjustable	90.0#	745.90	832.15
	4'	x 4'	Fixed or Adjustable	96.0#	795.60	887.60
	Specify PBR panel, PBU panel, PBA panel, or Straight Fins. All louvers are fabricated with permanent fins to fit specified panel. Width of louver is measured center-to-center of fins. All louvers are self-framing and require no additional flashing or trim. If louver is to fit in an existing framed opening, this must be known. All adjustable louvers operate with a hand crank. For pull-chain operation, please inquire. All louvers are special order, require five working-day delivery and are not returnable. *Color louvers other than Polar White, Burnished Slate, Saddle Tan, and Light Stone require an additional 40 % charge.					
<p style="text-align: center;">TAPE SEAL</p> 	SIZE	CARTON QTY	ROLL WT./EA.	PRICE EACH		
	3/8" x 3/32" x 45'	40	1.5#	3.05		
	1" x 3/32" x 45'	20	3.3#	7.00		
	Gray Butyl flat tape on waterproof release paper.					



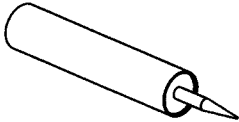



2141 Second Avenue S.W.
 Cullman, Alabama 35055
 800.438.1606 Toll Free
 256.739.6827 Tel. | 256.739.5657 Fax

17600 Badtke Road
 Hockley, TX 77447
 1.866.749.COMP (2667) Toll Free
 281.213.6100 Tel. | 281.213.6101 Fax

3387 Davey Allison Blvd.
 Hueytown, AL 35023
 1.877.887.4247 Toll Free
 205.744.1561 Tel. | 205.744.1562 Fax

www.inlandbuildings.com

ACCESSORIES

TUBE CAULKING	TYPE	COLOR	TUBE SIZE	CARTON QTY.	TUBE WT./EA.	PRICE EACH
 10.3 oz. cartridge	Polyurethane	White	10.3 oz	30	1.2#	7.25
	Polyurethane	Gray	10.3 oz	30	1.2#	7.25
	Polyurethane	Bronze	10.3 oz	30	1.2#	7.25
	Polyurethane	Almond	10.3 oz	30	1.2#	7.25
	Silicone	Clear	10.3 oz	30	1.2#	8.75
DESCRIPTION WT./100 PRICE EACH						
R PANEL CLOSURE STRIP EACH PIECE 3'-0" 	ThermX Gray Polypropylene					
Inside					4.5#	.85
Outside					8.0#	.85
DESCRIPTION WT./100 PRICE EACH						
U PANEL CLOSURE STRIP EACH PIECE 3'-0" 	ThermX Gray Polypropylene					
Inside					4.0#	.85
Outside					6.2#	.85
DESCRIPTION WT./100 PRICE EACH						
A PANEL CLOSURE STRIP EACH PIECE 3'-0" 	ThermX Gray Polypropylene					
Inside					5.4#	.85
Outside					5.6#	.85



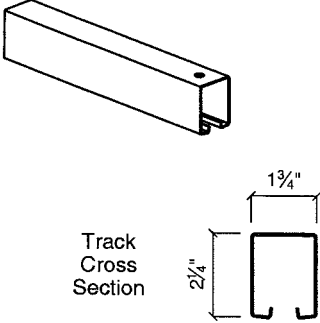
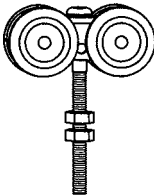
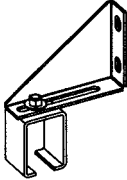
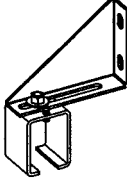
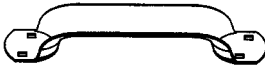
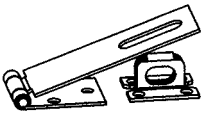
2141 Second Avenue S.W.
 Cullman, Alabama 35055
 800.438.1606 Toll Free
 256.739.6827 Tel. | 256.739.5657 Fax

17600 Badtke Road
 Hockley, TX 77447
 1.866.749.COMP (2667) Toll Free
 281.213.6100 Tel. | 281.213.6101 Fax

3387 Davey Allison Blvd.
 Hueytown, AL 35023
 1.877.887.4247 Toll Free
 205.744.1561 Tel. | 205.744.1562 Fax

www.inlandbuildings.com

ACCESSORIES

NATIONAL SLIDING DOOR TRACK	DESCRIPTION		PRICE EACH
	LENGTH	WT./EA.	
 <p>Track Cross Section</p> <p>All track is 16 ga. Galvanized.</p>	Door Track x 8'-0	14.2#	40.50
	Door Track x 10'-0	16.5#	60.00
	Door Track x 12'-0	20.8#	73.20
	Door Track x 14'-0	23.6#	80.25
	Door Track x 16'-0	28.3#	96.25
	Door Track x 18'-0	31.9#	109.75
	Door Track x 20'-0	35.5#	120.00
	Maximum door weight should be 400 lbs.		
NATIONAL SLIDING DOOR HARDWARE	DESCRIPTION		PRICE EACH
	ITEM	WT./EA.	
	 <p>2 1/8" diameter Trolley Truck w/ 5/2" bolt. (max. door weight 400 lbs.)</p>	1.2#	21.55
	 <p>Track Hanger Bracket. (use every 2' of track)</p>	1.4#	16.90
	 <p>Track Hanger/Splice Bracket (has set screw)</p>	1.5#	22.25
	 <p>#7 Extra Heavy Duty Door Pull.</p>	.9#	9.40
	 <p>4 1/2" Hasp and Staple set.</p> <p>All hardware is zinc-plated.</p>	.3#	5.25



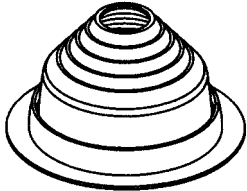
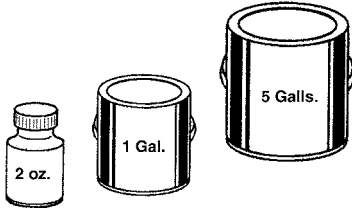

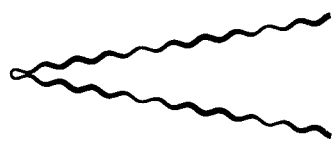
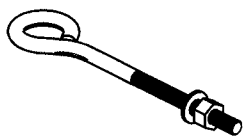

2141 Second Avenue S.W.
 Cullman, Alabama 35055
 800.438.1606 Toll Free
 256.739.6827 Tel. | 256.739.5657 Fax

17600 Badtke Road
 Hockley, TX 77447
 1.866.749.COMP (2667) Toll Free
 281.213.6100 Tel. | 281.213.6101 Fax

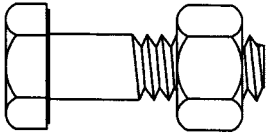
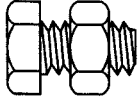
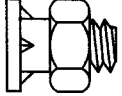
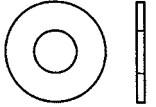

3387 Davey Allison Blvd.
 Hueytown, AL 35023
 1.877.887.4247 Toll Free
 205.744.1561 Tel. | 205.744.1562 Fax

www.inlandbuildings.com

ACCESSORIES

RUBBER PIPE FLASHING • FLASHERS • BLACK EPDM 	SIZE	PIPE SIZE	TEMP. RANGE	BASE	WT./EA.	PRICE EACH	
							EPDM
	#1	1/4" - 2"	-65° to 250°	4-3/4"	0.2#	13.95	
	#3	1/4" - 5"	-65° to 250°	7-3/4"	0.45#	19.80	
	#5	4-1/4" - 7-1/2"	-65° to 250°	10-3/4"	1.0#	33.60	
	#7	6" - 11"	-65° to 250°	14-1/4"	2.0#	67.95	
#8	7" - 13"	-65° to 250°	16-1/2"	2.3#	99.00		
TOUCH-UP PAINT 	DESCRIPTION					PRICE EACH	
	Red Oxide Primer Water Based - Gallon can					31.50	
	Red Oxide Primer Water based - 5 Gallon pail					149.40	
	Valspar Matching Color, Panel Touch Up Paint 2 oz. Bottle					16.25	
	Silicone Polyester Kynar					26.25	
GALVANIZED EHS STRAND 	SIZE	MIN. BREAKING STRENGTH		WT./FT.	PRICE PER FOOT		
	1/4"	6,650 lbs.		.1 #	.48		
	5/16"	11,200 lbs.		.2#	.63		
	3/8"	15,400 lbs.		.3#	.83		
	1/2"	26,900 lbs.		.5#	1.53		
	All strand conforms to the requirements of ASTM A475, EHS Grade.						
GALVANIZED EHS BRACE GRIPS 	CABLE SIZE	MIN. BREAKING STRENGTH		WT./EA.	PRICE EACH		
	1/4"	6,650 lbs.		.3#	2.95		
	5/16"	11,200 lbs.		.5#	3.90		
	3/8"	15,400 lbs.		.9#	4.90		
	1/2"	26,900 lbs.		2.0#	11.15		
EYE BOLTS w/NUTS & FLAT WASHER 	SIZE	TOTAL LENGTH	THREAD LENGTH	WT./EA.	PRICE EACH		
							ZINC-PLATED
	1/2"Ø	8"	6"	.7#	3.30		
	5/8"Ø	8"	6"	1.5#	4.85		
	3/4"Ø	8"	6"	2.0#	7.15		
	7/8"Ø	8"	6"	3.0#	10.35		
HILLSIDE WASHERS 	SIZE				WT./100	PRICE EACH	
							BLACK
	1/2"Ø	Eye Bolt Size			32.4#	1.45	
	5/8"Ø	Eye Bolt Size			40.0#	1.75	
	3/4"Ø	Eye Bolt Size			55.7#	2.60	
7/8"Ø	Eye Bolt Size			82.3#	3.75		

ACCESSORIES

<p>A325 HIGH STRENGTH STRUCTURAL BOLTS WITH NUTS</p>  <p>All bolts have Heavy Hex Heads. All nuts are A194 Heavy Hex Nuts.</p>	DIAMETER	LENGTH	THREAD	TPI	WT./100	PRICE PER 100	
	ZINC-PLATED						
	1/2"	x	1 1/4"	1"	13	17.8#	49.40
	1/2"	x	1 1/2"	1"	13	19.2#	56.25
	5/8"	x	1 1/2"	1 1/4"	11	33.1#	93.65
	5/8"	x	1 3/4"	1 1/4"	11	35.3#	96.50
	5/8"	x	2"	1 1/4"	11	37.4#	97.40
	3/4"	x	1 3/4"	1 3/8"	10	55.3#	159.90
	3/4"	x	2"	1 3/8"	10	58.4#	164.40
	3/4"	x	2 1/4"	1 3/8"	10	61.6#	169.75
	3/4"	x	2 1/2"	1 3/8"	10	64.7#	171.25
	3/4"	x	2 3/4"	1 3/8"	10	67.8#	176.25
	1"	x	2 3/4"	1 3/4"	8	135.0#	379.65
	1"	x	3"	1 3/4"	8	141.0#	402.15
1"	x	3 1/4"	1 3/4"	8	146.0#	426.00	
<p>A307 LOW CARBON BOLTS w/ NUTS</p>  <p>MACHINE BOLT</p>  <p>FIN NECK BOLT</p>	DIAMETER	LENGTH	THREAD	TPI	WT./100	PRICE PER 100	
	ZINC-PLATED						
	1/2"	x	1"	1"	13	13#	28.25
	1/2"	x	1 1/4"	1 1/4"	13	14#	29.90
	1/2"	x	1"	7/8"	13	10#	44.75
	1/2"	x	1 1/4"	1 1/8"	13	13#	55.00
<p>USS FLAT WASHERS</p>  <p>(Not Hardened)</p>	BOLT DIAMETER	I.D.	O.D.	WT./100	PRICE PER 100		
	ZINC-PLATED						
	1/2"	x	9/16"	1 3/8"	3.9#	12.00	
	5/8"	x	1 1/16"	1 3/4"	7.7#	19.50	
	3/4"	x	1 3/16"	2"	11.0#	23.95	
1"	x	1 1/16"	2 1/2"	18.9#	44.65		
<p>A307 LOW CARBON HEX NUTS</p> 	BOLT DIAMETER	THICKNESS	TPI	WT./100	PRICE PER 100		
	ZINC-PLATED						
	1/2"	x	5/16"	13	3.8#	9.65	
	5/8"	x	3/8"	11	7.3#	23.00	
	3/4"	x	27/64"	10	11.9#	33.65	
1"	x	35/64"	8	28.3#	105.65		