



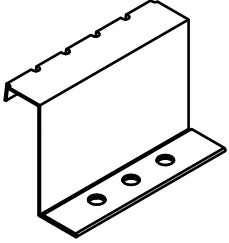
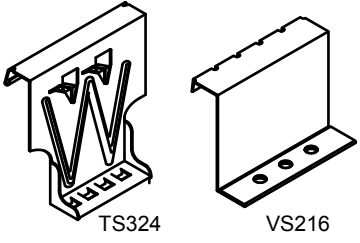
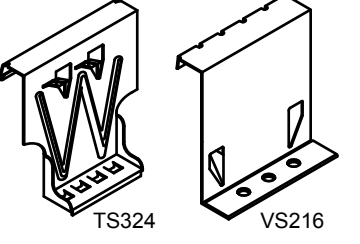
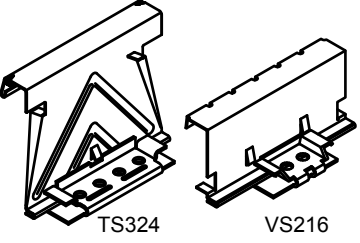
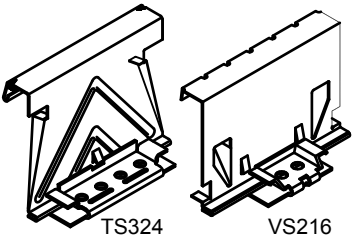
2141 Second Avenue S.W.
 Cullman, Alabama 35055
 800.438.1606 Toll Free
 256.739.6827 Tel. | 256.739.5657 Fax

17600 Badtke Road
 Hockley, TX 77447
 1.866.749.COMP (2667) Toll Free
 281.213.6100 Tel. | 281.213.6101 Fax

3387 Davey Allison Blvd.
 Hueytown, AL 35023
 1.877.887.4247 Toll Free
 205.744.1561 Tel. | 205.744.1562 Fax

www.inlandbuildings.com

ACCESSORIES

 UTILITY CLIP	PART NO.	SSR SYSTEM	HEIGHT	WT./EA.	PRICE PER EACH
		FC10200	VS216	2"	.12#
 (FOR 3/8" STAND-OFF)	PART NO.	SSR SYSTEM	HEIGHT	WT./EA.	PRICE PER EACH
	FC462	TS324	3 3/8"	.20#	1.38
	FC10203	VS216	2 3/8"	.13#	0.87
 (FOR 1 3/8" STAND-OFF)	PART NO.	SSR SYSTEM	HEIGHT	WT./EA.	PRICE PER EACH
	FC463	TS324	4 3/8"	.25#	1.65
	FC10213	VS216	3 3/8"	.18#	1.15
 (FOR 3/8" STAND-OFF)	PART NO.	SSR SYSTEM	HEIGHT	WT./EA.	PRICE PER EACH
	MPS602S	TS324	3 3/8"	.40#	2.37
	MC1203	VS216	2 3/8"	.23#	1.44
 (FOR 1 3/8" STAND-OFF)	PART NO.	SSR SYSTEM	HEIGHT	WT./EA.	PRICE PER EACH
	MPS603S	TS324	4 3/8"	.44#	2.52
	MC1213	VS216	3 3/8"	.25#	1.62



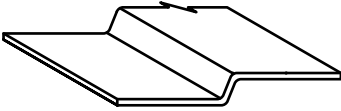
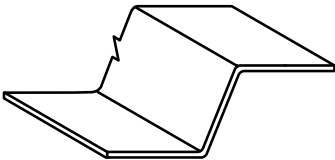
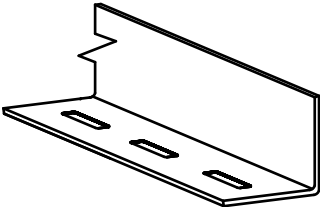
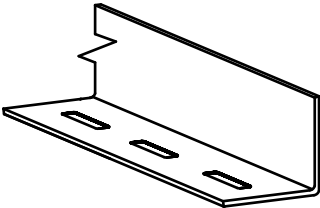
2141 Second Avenue S.W.
 Cullman, Alabama 35055
 800.438.1606 Toll Free
 256.739.6827 Tel. | 256.739.5657 Fax

17600 Badtke Road
 Hockley, TX 77447
 1.866.749.COMP (2667) Toll Free
 281.213.6100 Tel. | 281.213.6101 Fax

3387 Davey Allison Blvd.
 Hueytown, AL 35023
 1.877.887.4247 Toll Free
 205.744.1561 Tel. | 205.744.1562 Fax

www.inlandbuildings.com

ACCESSORIES

<p>EAVE PLATE (FOR 3/8" STAND-OFF)</p> 	PART NO.	SSR SYS.	GAUGE	LENGTH	FINISH	WT./EA.	PRICE PER EACH	
	EP038	TS324	16	10'-0"	Galvanized	8.50#	25.50	
Note: Use with TS324 and VS216								
<p>EAVE PLATE (FOR 1 3/8" STAND-OFF)</p> 	PART NO.	SSR SYS.	GAUGE	LENGTH	FINISH	WT./EA.	PRICE PER EACH	
	EP138	TS324	16	10'-0"	Galvanized	8.50#	25.50	
Note: Use with TS324 and VS216								
<p>RAKE SUPPORT ANGLE (FOR 3/8" STAND-OFF)</p> 	PART NO.	SSR SYS.	SIZE	GAUGE	LENGTH	FINISH	WT./EA.	PRICE PER EACH
	RSA338	TS324	3 3/8X2 1/2	14	20'-0"	R/O	28.71#	48.00
	RSA238	VS216	2 3/8X3 1/2	14	20'-0"	R/O	28.71#	48.00
Note: Use with Low Clips								
<p>RAKE SUPPORT ANGLE (FOR 1 3/8" STAND-OFF)</p> 	PART NO.	SSR SYS.	SIZE	GAUGE	LENGTH	FINISH	WT./EA.	PRICE PER EACH
	RSA438	TS324	4 3/8X1 1/2	14	20'-0"	R/O	28.71#	48.00
	RSA338	VS216	3 3/8X2 1/2	14	20'-0"	R/O	28.71#	48.00
Note: Use with High Clips								



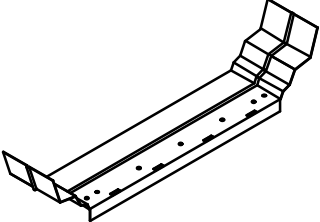
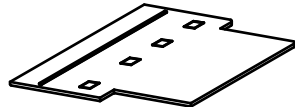
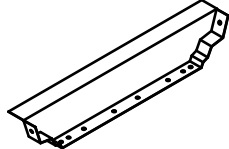
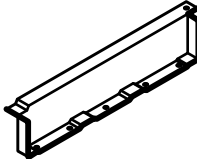
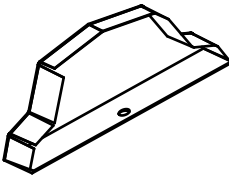
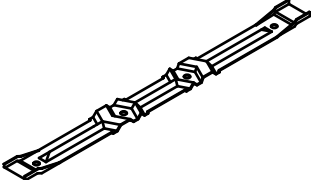
2141 Second Avenue S.W.
 Cullman, Alabama 35055
 800.438.1606 Toll Free
 256.739.6827 Tel. | 256.739.5657 Fax

17600 Badtke Road
 Hockley, TX 77447
 1.866.749.COMP (2667) Toll Free
 281.213.6100 Tel. | 281.213.6101 Fax

3387 Davey Allison Blvd.
 Hueytown, AL 35023
 1.877.887.4247 Toll Free
 205.744.1561 Tel. | 205.744.1562 Fax

www.inlandbuildings.com

ACCESSORIES

ENDLAP BACK-UP PLATE (FOR 24" PANEL) 	PART NO. SSR SYSTEM WIDTH GAUGE FINISH WT./EA.	PRICE PER EACH
	BUP324 TS324 24" 16 Galvanized 2.41#	6.65
ENDLAP BACK-UP PLATE (FOR 16" PANEL) 	PART NO. SSR SYSTEM WIDTH GAUGE FINISH WT./EA.	PRICE PER EACH
	BUP216 VS216 15½" 16 R/O 1.90#	3.75
OUTSIDE CLOSURE (FOR 24" PANEL) 	PART NO. SSR SYSTEM WIDTH GAUGE FINISH WT./EA.	PRICE PER EACH
	OSC324A TS324 24" 24 Galvalume® 1.09#	4.40
	OSC324B TS324 24" 24 Painted 1.09#	5.40
OUTSIDE CLOSURE (FOR 16" PANEL) 	PART NO. SSR SYSTEM WIDTH GAUGE FINISH WT./EA.	PRICE PER EACH
	OSC216A VS216 16" 24 Galvalume® .41#	2.25
	OSC216B VS216 16" 24 Painted .41#	3.00
CORRUGATION CLOSURE 	PART NO. SSR SYSTEM WIDTH GAUGE FINISH WT./EA.	PRICE PER EACH
	ISC324 TS324 1⅝" 22 Galvalume® .24#	1.80
ENDLAP CINCH STRAP (FOR 24" PANEL) 	PART NO. SSR SYSTEM WIDTH GAUGE FINISH WT./EA.	PRICE PER EACH
	CS324A TS324 20¼" 18 Stainless .30#	6.00
	CS324B TS324 20¼" 18 Painted .30#	12.00



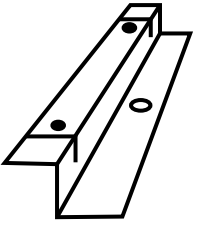
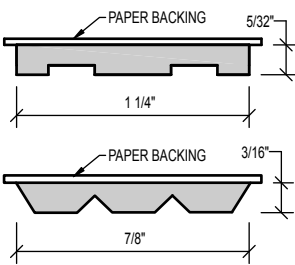
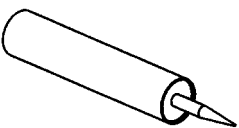
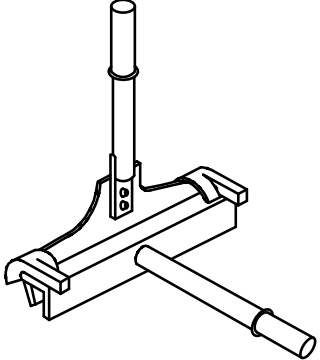

2141 Second Avenue S.W.
 Cullman, Alabama 35055
 800.438.1606 Toll Free
 256.739.6827 Tel. | 256.739.5657 Fax

17600 Badtke Road
 Hockley, TX 77447
 1.866.749.COMP (2667) Toll Free
 281.213.6100 Tel. | 281.213.6101 Fax

3387 Davey Allison Blvd.
 Hueytown, AL 35023
 1.877.887.4247 Toll Free
 205.744.1561 Tel. | 205.744.1562 Fax

www.inlandbuildings.com

ACCESSORIES

GUTTER STRAP	PART NO. SSR SYSTEM GAUGE LENGTH WT./EA.					PRICE PER EACH		
						GALVALUME®	COLOR	
	GC-1	TS324/VS216	18	0'-10"	.30#	1.90	5.05	
TAPE SEALER	PART NO.	TYPE	SIZE	THICKNESS	LENGTH	CARTON QTY.	ROLL WT./EA.	PRICE PER EACH
	RS1	Butyl	5/32" x 1 1/4"	5/32"	30'-0"	16	3.75#	14.65
	RS2	Butyl	3/16" x 7/8"	3/16"	25'-0"	8	2.23#	5.75
TUBE CAULKING	TYPE	COLOR	TUBE SIZE	CARTON QTY.	WT./EA.	PRICE PER EACH		
 <p>10.3 oz. cartridge</p>	Polyurethane	White	10.3 oz	30	1.2#	7.25		
	Polyurethane	Gray	10.3 oz	30	1.2#	7.25		
	Polyurethane	Bronze	10.3 oz	30	1.2#	7.25		
	Polyurethane	Almond	10.3 oz	30	1.2#	7.25		
	Silicone	Clear	10.3 oz	30	1.2#	8.75		
HAND SEAMER	PART NO.	DESCRIPTION			WT./EA.	PRICE PER EACH		
	HST-S	Hand Seamer – Short			10#	377.50		
	HST-T	Hand Seamer – Tall			22#	665.00		
TOUCH-UP PAINT	DESCRIPTION					PRICE PER EACH		
 <p>2 oz.</p>	Valspar Matching Color, Panel Touch Up Paint							
	2 oz. Bottle							
	Silicone Polyester					16.25		
Kynar					26.25			



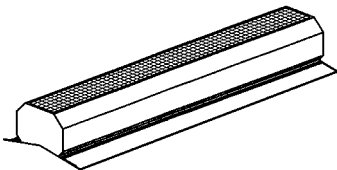

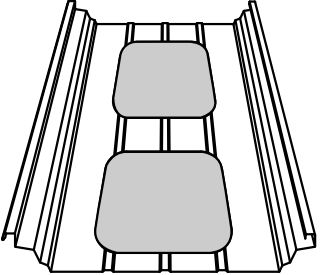
2141 Second Avenue S.W.
 Cullman, Alabama 35055
 800.438.1606 Toll Free
 256.739.6827 Tel. | 256.739.5657 Fax

17600 Badtke Road
 Hockley, TX 77447
 1.866.749.COMP (2667) Toll Free
 281.213.6100 Tel. | 281.213.6101 Fax

3387 Davey Allison Blvd.
 Hueytown, AL 35023
 1.877.887.4247 Toll Free
 205.744.1561 Tel. | 205.744.1562 Fax

www.inlandbuildings.com

ACCESSORIES

CONTINUOUS THROAT GRAVITY RIDGE VENTILATORS	DESCRIPTION		WT./EA.	PRICE PER EACH		
				GALVALUME®	WHITE	
	9" Throat x 10' Long, 26 GA, w/ damper	207.0#		526.70	568.50	
	12" Throat x 10' Long, 26 GA, w/ damper	223.0#		656.40	706.85	
	All ventilators have bird screen and damper.					
	Pricing shown is for ventilators with flat skirts only. Included with each ventilator are splice plates, end skirts, and special rope sealant.					
All ventilators will conform to roof slopes up to 6:12.						
For standard color ventilators other than Polar White, please inquire.						
For hardware required for adjustable ventilators, see page SSR-9.						
For chain operated ventilators, please inquire.						
VENTILATOR HARDWARE	DESCRIPTION		WT./EA.	PRICE PER EACH		
	Galvanized 3/16" Vent Cable			.42 foot		
	Vent Pulley			4.75		
	1/4" x 2" Eye Bolt w/ Nuts			.45		
	Cable Clamps			.60		
LIGHT TRANSMITTING PANEL	TYPE	WIDTH	LENGTH	COLOR	WT.	PRICE PER EACH
	Uninsulated	24"	10'-2"	GALVALUME®	32#	Please inquire
	Uninsulated	24"	10'-2"	White	32#	Please inquire
	Uninsulated	24"	10'-2"	Other colors	32#	Please inquire
	Note: Use with RollLok, TripleLok and QuadLok roof systems.					
	Light Transmitting Panels other than White or GALVALUME® require 5 weeks manufacturing time.					
	Insulated	24"	10'-2"	GALVALUME®	38#	Please inquire
Insulated	24"	10'-2"	White	38#	Please inquire	
Insulated	24"	10'-2"	Other colors	38#	Please inquire	
Note: Use with RollLok, TripleLok and QuadLok roof systems.						
Light Transmitting Panels other than White or Galvalume® require 5 weeks manufacturing time.						



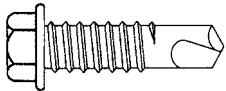
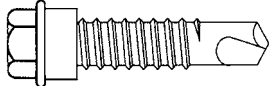
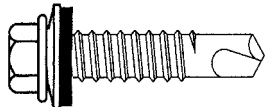
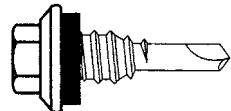
2141 Second Avenue S.W.
 Cullman, Alabama 35055
 800.438.1606 Toll Free
 256.739.6827 Tel. | 256.739.5657 Fax

17600 Badtke Road
 Hockley, TX 77447
 1.866.749.COMP (2667) Toll Free
 281.213.6100 Tel. | 281.213.6101 Fax

3387 Davey Allison Blvd.
 Hueytown, AL 35023
 1.877.887.4247 Toll Free
 205.744.1561 Tel. | 205.744.1562 Fax

www.inlandbuildings.com

ACCESSORIES

SELF-DRILLING CARBON STEEL FASTENERS	SIZE	LENGTH	TYPE	HEAD AF	WT./M	PRICE PER 1000		
						PLAIN	PAINTED	
 No Washer	#14	1"	Driller	5/16"	17.2#	111.75	N/A	
	Note: Fasteners sold in quantities of 250 only							
SELF-DRILLING CARBON STEEL SHOULDER FASTENERS	SIZE	LENGTH	TYPE	HEAD AF	WT./M	PRICE PER 1000		
 Note: Fasteners sold in quantities of 250 only	#14	1 1/4"	Driller	5/16"	17.5#	167.95	N/A	
	Note: Fasteners sold in quantities of 250 only							
SELF-DRILLING CARBON STEEL FASTENERS	SIZE	LENGTH	TYPE	HEAD AF	WT./M	PRICE PER 1000		
 W/Bonded Washer	#14	1 1/4"	Driller	5/16"	20.3#	164.20	178.45	
	Note: Fasteners sold in quantities of 250 only							
SELF-DRILLING CARBON STEEL FASTENERS	SIZE	LENGTH	TYPE	HEAD AF	WT./M	PRICE PER 1000		
 For attaching sheet to sheet.	#14	7/8"	Laptek	5/16"	12.6#	87.60	101.85	
	Note: Fasteners sold in quantities of 250 only							



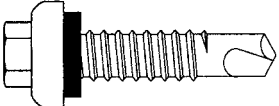
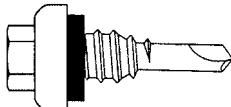
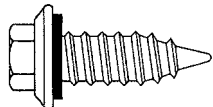
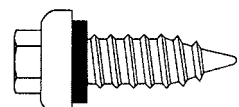
2141 Second Avenue S.W.
 Cullman, Alabama 35055
 800.438.1606 Toll Free
 256.739.6827 Tel. | 256.739.5657 Fax

17600 Badtke Road
 Hockley, TX 77447
 1.866.749.COMP (2667) Toll Free
 281.213.6100 Tel. | 281.213.6101 Fax

3387 Davey Allison Blvd.
 Hueytown, AL 35023
 1.877.887.4247 Toll Free
 205.744.1561 Tel. | 205.744.1562 Fax

www.inlandbuildings.com

ACCESSORIES

<p>LONG-LIFE SELF-DRILLING FASTENERS</p>  <p>For attaching sheet to Ceess and Zees.</p>	SIZE	LENGTH	TYPE	HEAD AF	WT./M	PRICE PER 1000			
						PLAIN	PAINTED		
	#14	1¼"	Driller	5/16"	19.2#	243.10	256.60		
Note: Fasteners sold in quantities of 250 only									
<p>LONG-LIFE SELF-DRILLING FASTENERS</p>  <p>For attaching sheet to sheet.</p>	SIZE	LENGTH	TYPE	HEAD AF	WT./M	PRICE PER 1000			
						PLAIN	PAINTED		
	#14	7/8"	Lapteck	5/16"	17.2#	179.50	193.00		
Note: Fasteners sold in quantities of 250 only									
<p>SELF-TAPPING CARBON STEEL FASTENERS</p>  <p>Holes must be pre-drilled through all metal when using this type of fastener</p>	SIZE	LENGTH	TYPE	HEAD AF	WT./M	PRICE PER 1000			
						PLAIN	PAINTED		
	#17	1"	AB	5/16"	16.0#	158.25	172.50		
Note: Fasteners sold in quantities of 250 only									
<p>LONG-LIFE SELF-TAPPING FASTENERS</p>  <p>Holes must be pre-drilled through all metal when using this type of fastener</p>	SIZE	LENGTH	TYPE	HEAD AF	WT./M	PRICE PER 1000			
						PLAIN	PAINTED		
	#17	1"	AB	5/16"	18.0#	270.20	283.70		
Note: Fasteners sold in quantities of 250 only									



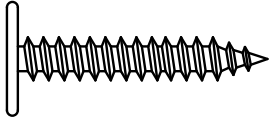
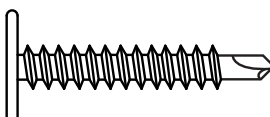

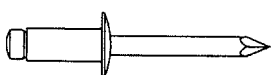
2141 Second Avenue S.W.
 Cullman, Alabama 35055
 800.438.1606 Toll Free
 256.739.6827 Tel. | 256.739.5657 Fax

17600 Badtke Road
 Hockley, TX 77447
 1.866.749.COMP (2667) Toll Free
 281.213.6100 Tel. | 281.213.6101 Fax

3387 Davey Allison Blvd.
 Hueytown, AL 35023
 1.877.887.4247 Toll Free
 205.744.1561 Tel. | 205.744.1562 Fax

www.inlandbuildings.com

ACCESSORIES

PHILLIPS HEAD CARBON STEEL PAN HEAD FASTENERS 	SIZE	LENGTH	TYPE	HEAD AF	WT./M	PRICE PER 1000	
						PLAIN	PAINTED
	#10	1"	A/B	Phillips	7.1#	51.90	N/A
Note: Fasteners sold in quantities of 250 only							
PHILLIPS HEAD CARBON STEEL PAN HEAD FASTENERS 	SIZE	LENGTH	TYPE	HEAD AF	WT./M	PRICE PER 1000	
						PLAIN	PAINTED
	#10	1"	Driller	Phillips	7.0#	74.10	N/A
Note: Fasteners sold in quantities of 250 only							
LONG-LIFE METAL TO WOOD FASTENERS 	SIZE	LENGTH	TYPE	HEAD AF	WT./M	PRICE PER 1000	
						PLAIN	PAINTED
	#10	1"	Woodgrip	5/16"	9.5#	171.85	183.35
	#10	1½"	Woodgrip	5/16"	11.5#	186.15	199.65
	#10	2"	Woodgrip	5/16"	14.0#	256.25	269.75
Note: Fasteners sold in quantities of 250 only							
STAINLESS STEEL POP RIVETS 	SIZE	GRIP RANGE			WT./M	PRICE PER 1000	
						PLAIN	PAINTED
	1/8" diameter	.126 - .187			2.8#	96.30	103.20
Body and mandrel are stainless steel.							
Note: Fasteners sold in quantities of 250 only							
For attaching steel sheeting to a wood frame or wood decking							



2141 Second Avenue S.W.
 Cullman, Alabama 35055
 800.438.1606 Toll Free
 256.739.6827 Tel. | 256.739.5657 Fax

17600 Badtke Road
 Hockley, TX 77447
 1.866.749.COMP (2667) Toll Free
 281.213.6100 Tel. | 281.213.6101 Fax

3387 Davey Allison Blvd.
 Hueytown, AL 35023
 1.877.887.4247 Toll Free
 205.744.1561 Tel. | 205.744.1562 Fax

www.inlandbuildings.com

FLAT SHEET SELECTION CHART

	24 Ga.
	42 ³ / ₄ "
PREMIUM POLYESTER – PPOL	
Polar White	●
KYNAR 500	
Gallery Blue	●
Regal Red	●
Medium Bronze	●
Snow White	●
Slate Gray	●
Almond	●
Classic Green	●
Brownstone	●
Colonial Red	●
OTHER	
Clear Acrylic GALVALUME®	●

Consult the SBS TECHNICAL MANUAL for proper product application, design details and other product information.



2141 Second Avenue S.W.
 Cullman, Alabama 35055
 800.438.1606 Toll Free
 256.739.6827 Tel. | 256.739.5657 Fax

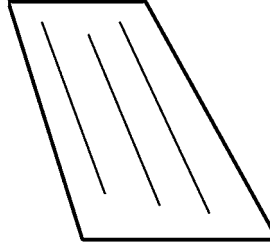
17600 Badtke Road
 Hockley, TX 77447
 1.866.749.COMP (2667) Toll Free
 281.213.6100 Tel. | 281.213.6101 Fax

3387 Davey Allison Blvd.
 Hueytown, AL 35023
 1.877.887.4247 Toll Free
 205.744.1561 Tel. | 205.744.1562 Fax

www.inlandbuildings.com

FLAT SHEET PRICING

FLAT SHEETS



Gauge	Width	Finish	Wt/Ft	PRICE PER 10'-2" SHEET		
				1-10	11-50	Over 50
24	42 3/4"	PPOL Polar White	3.44#	62.00	59.50	58.30
24	42 3/4"	Kynar 500® Colors	3.44#	69.85	67.05	65.70
24	42 3/4"	GALVALUME® (Clear Acrylic)	3.44#	51.20	49.15	48.15

Consult the SBS TECHNICAL MANUAL for proper product application, design details and other product information.

NOTES:

1. Add \$33.60 for flat sheet wood skid/Maximum 100 flat sheets or 3000# per skid. Maximum 14' length.
2. Add \$48.00 for LTL crating/Maximum 100 flat sheets or 3000# per skid.
3. Strippable film available for flat sheets (except for GALVALUME®) upon request. Add \$.08 per square foot.
4. Flat sheet lengths other than 10'-2" are available upon request. Minimum length 5', maximum length 14'-0". For flat sheet lengths other than 10'-2" or 14'-0", add \$.10 per square foot. Flat sheet lengths over 14'-0" require special skid. Please inquire.
5. All material is Grade D for flat sheets.