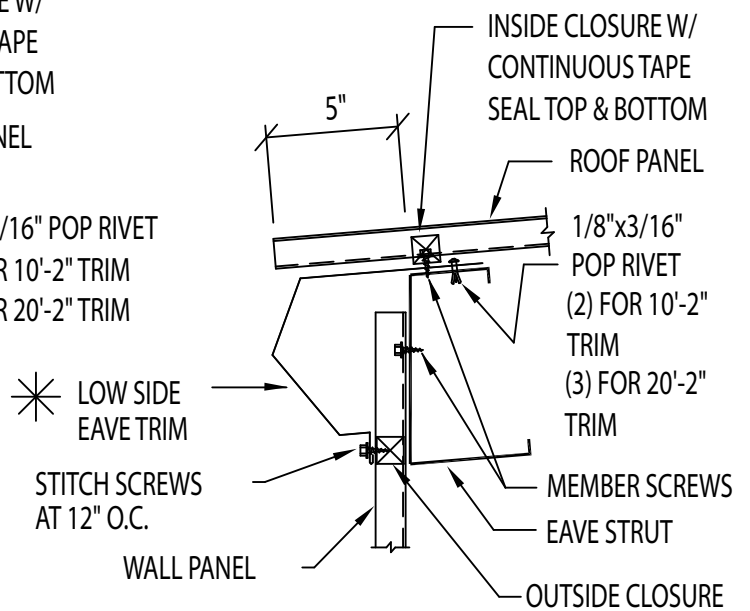
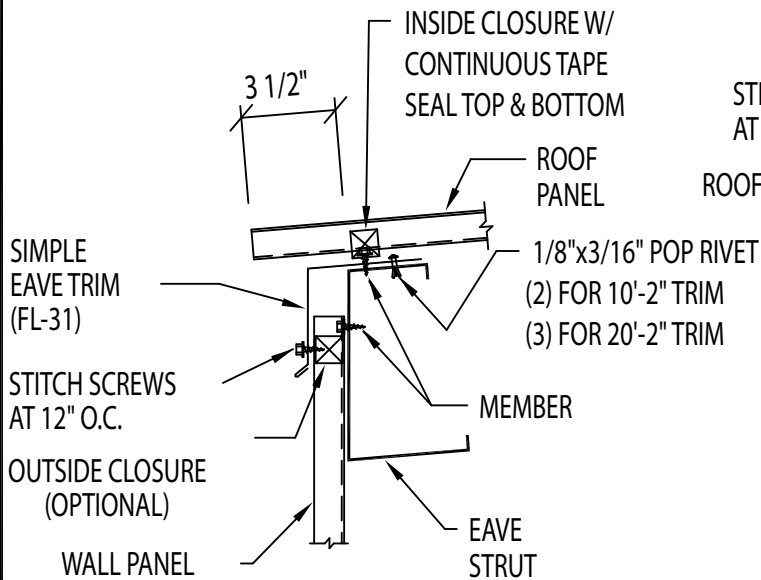


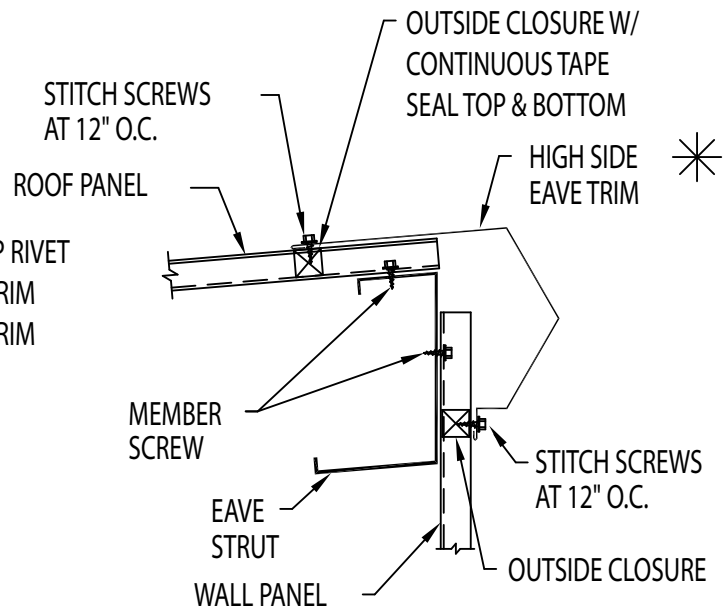
**EAVE DETAIL WITH GUTTER (SHEETED WALL)**



**EAVE DETAIL WITH LOW SIDE EAVE TRIM (SHEETED WALL)**



**EAVE DETAIL WITH SIMPLE EAVE TRIM (SHEETED WALL)**



**HIGH EAVE DETAIL WITH HIGH SIDE EAVE TRIM (SHEETED WALL)**

**NOTE: POP RIVETS AND EAVE TRIM TO BE INSTALLED BEFORE ROOF INSULATION**

**EAVE DETAILS WITH SHEETED SIDEWALL**

\* NOTE: TRIM PROFILE MAY VARY

DRAWING NO.

**D7**