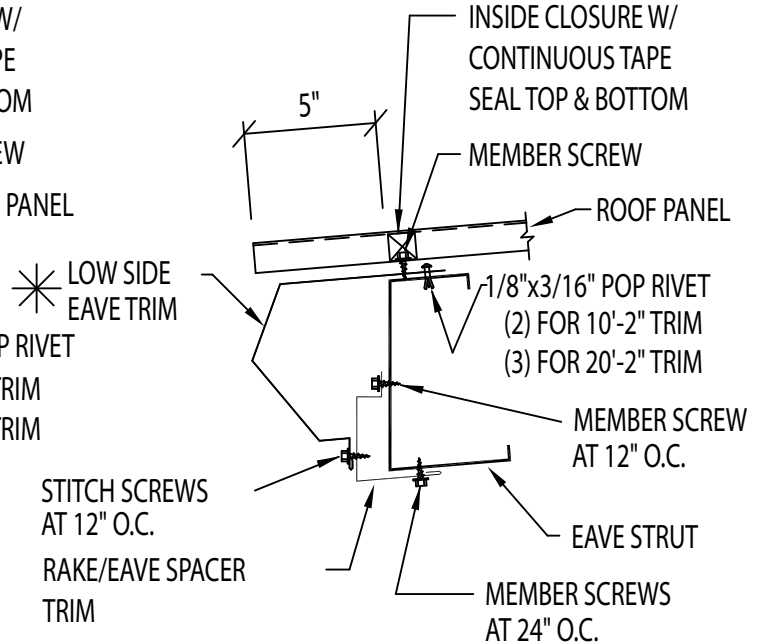
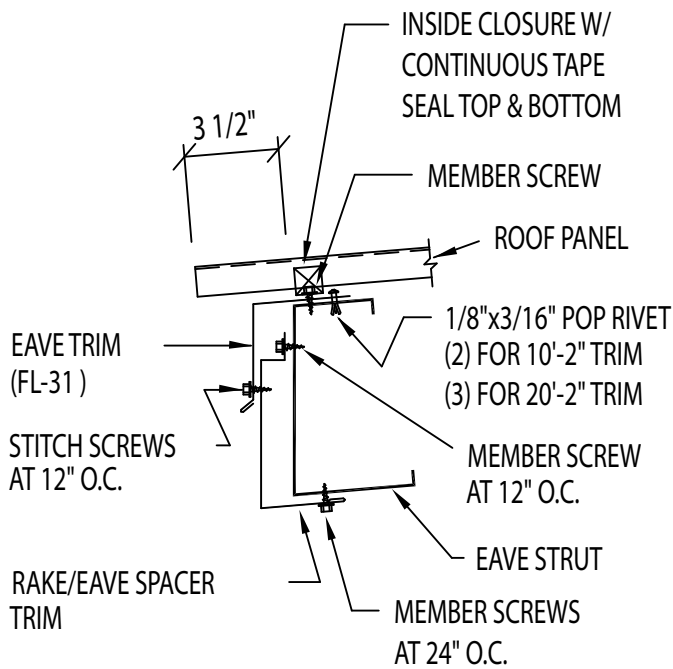


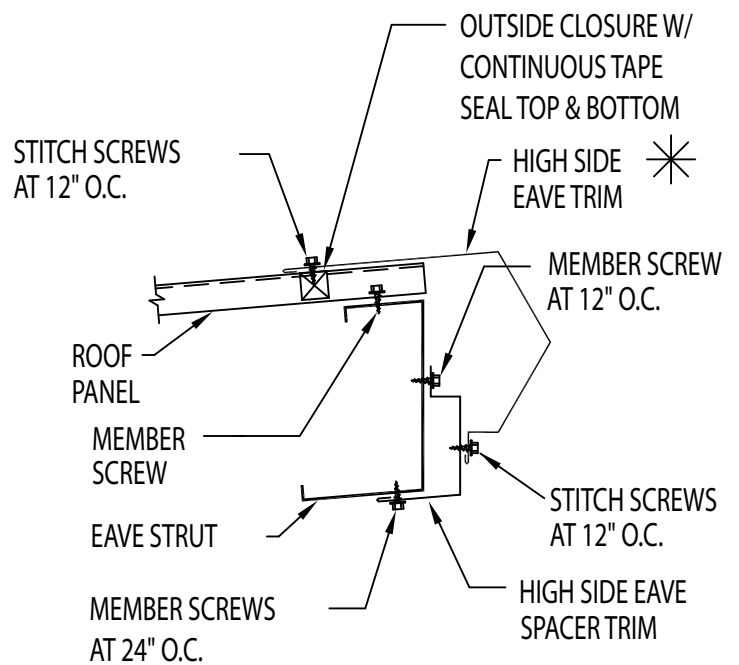
EAVE DETAIL WITH GUTTER
(PARTIALLY SHEETED WALL OR OPEN WALL)



EAVE DETAIL WITH LOW SIDE EAVE TRIM
(PARTIALLY SHEETED WALL)



EAVE DETAIL WITH SIMPLE EAVE TRIM
(PARTIALLY SHEETED WALL OR OPEN WALL)



HIGH EAVE DETAIL WITH HIGH SIDE EAVE TRIM
(PARTIALLY SHEETED WALL)

NOTE: POP RIVETS AND EAVE TRIM TO BE INSTALLED BEFORE ROOF INSULATION

EAVE DETAILS WITH OPEN SIDEWALL
(8" EAVE STRUTS)

* NOTE: TRIM PROFILE MAY VARY

DRAWING NO.

D8