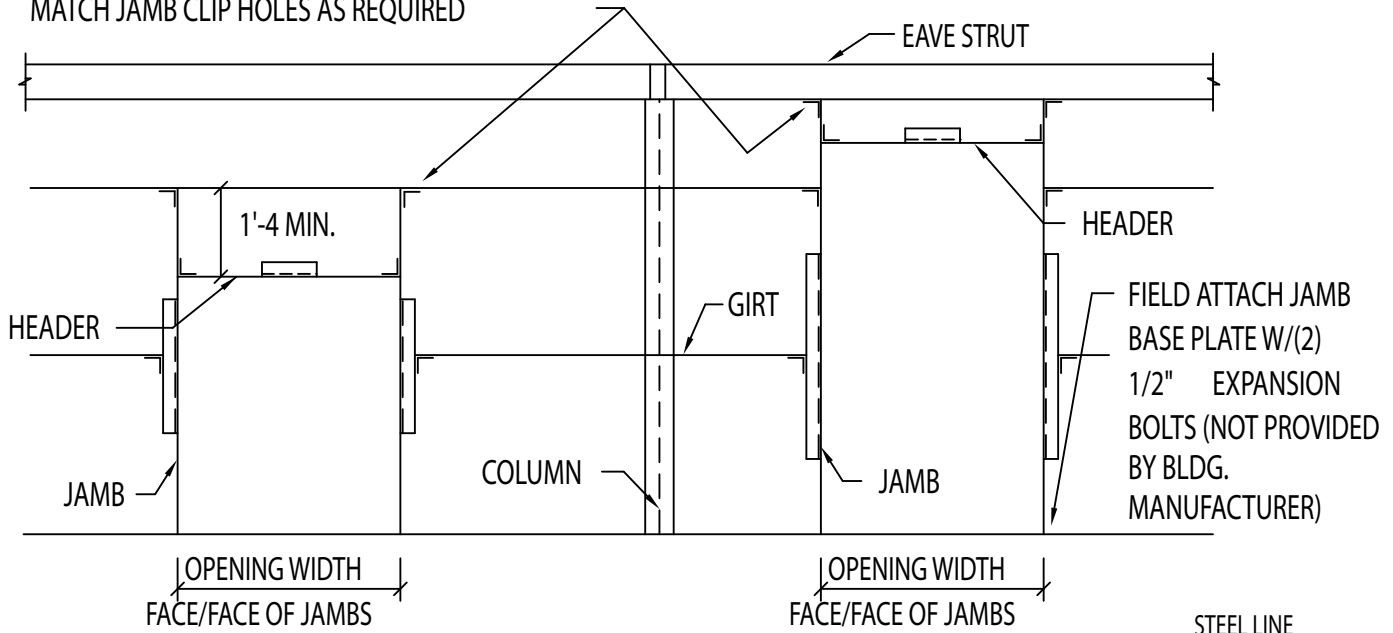
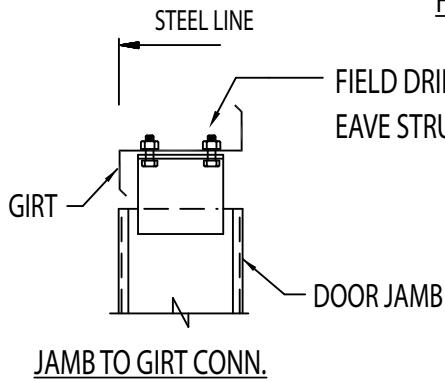


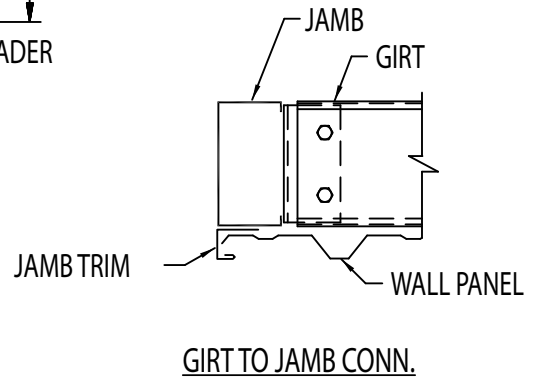
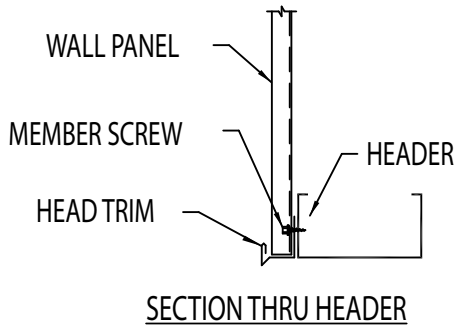
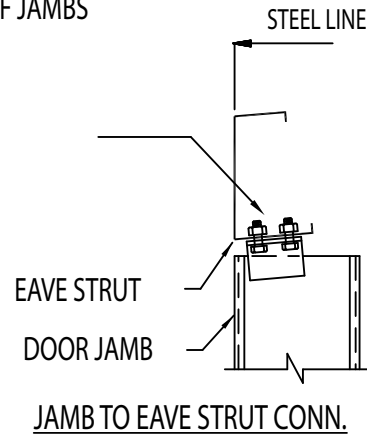
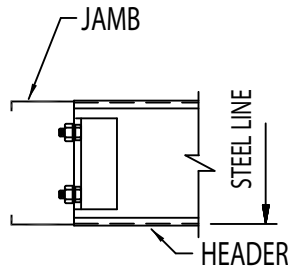
FIELD DRILL GIRT OR EAVE STRUT TO
MATCH JAMB CLIP HOLES AS REQUIRED



FRAMING ELEVATION



FIELD DRILL 9/16" DIA. HOLES IN GIRT OR
EAVE STRUT TO MATCH JAMB CLIP



FRAMED OPENING FRAMING DETAILS

NOTE: ALL CONN. BOLTS ARE 1/2" x 1" MACH. BOLTS UNLESS NOTED

DRAWING NO.

D21