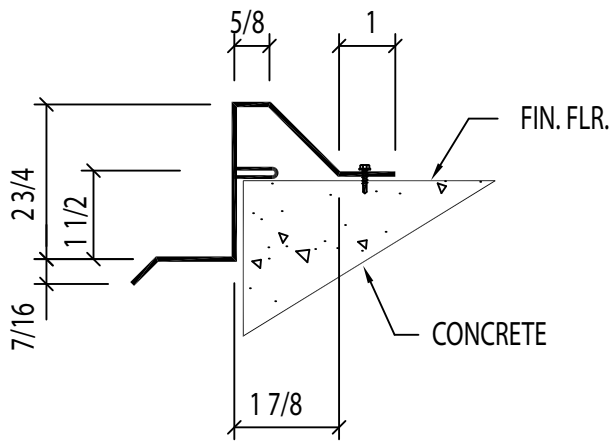


FORMED BASE TRIM TYPICAL LAYOUT



SECTION A - FORMED BASE

FORMED BASE TRIM DETAILS

DRAWING NO.

D60