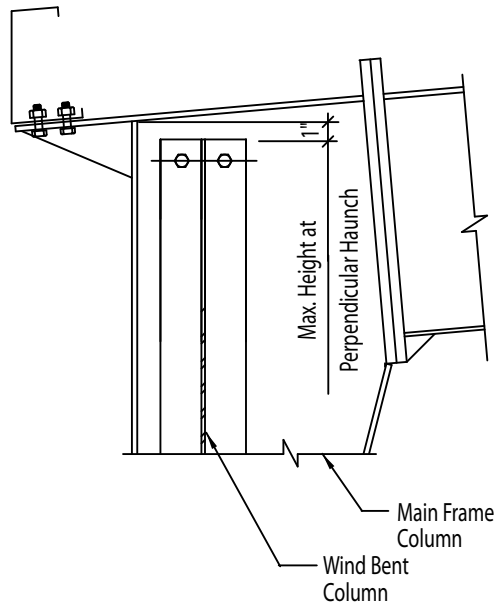
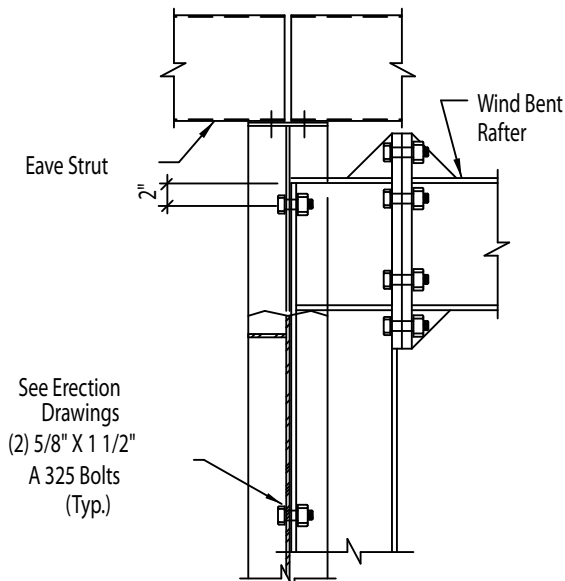


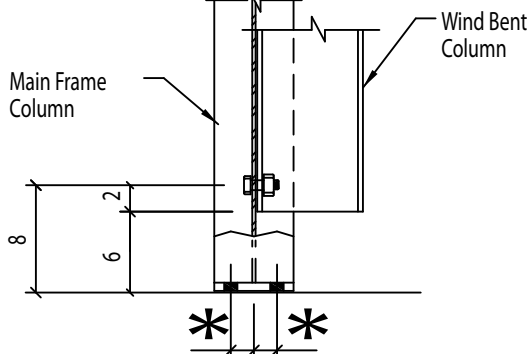
Wind Bent Elevation



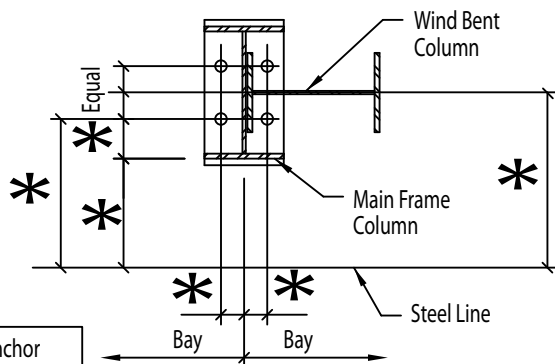
Section "B"



See Erection Drawings
(2) 5/8" X 1 1/2"
A 325 Bolts
(Typ.)



Section "A"



Section "C"

***** See Anchor Bolt Plan

FLUSH WIND BENT (FLOATING)

Note: The preferred application is with separate anchor bolts

DRAWING NO.

D85